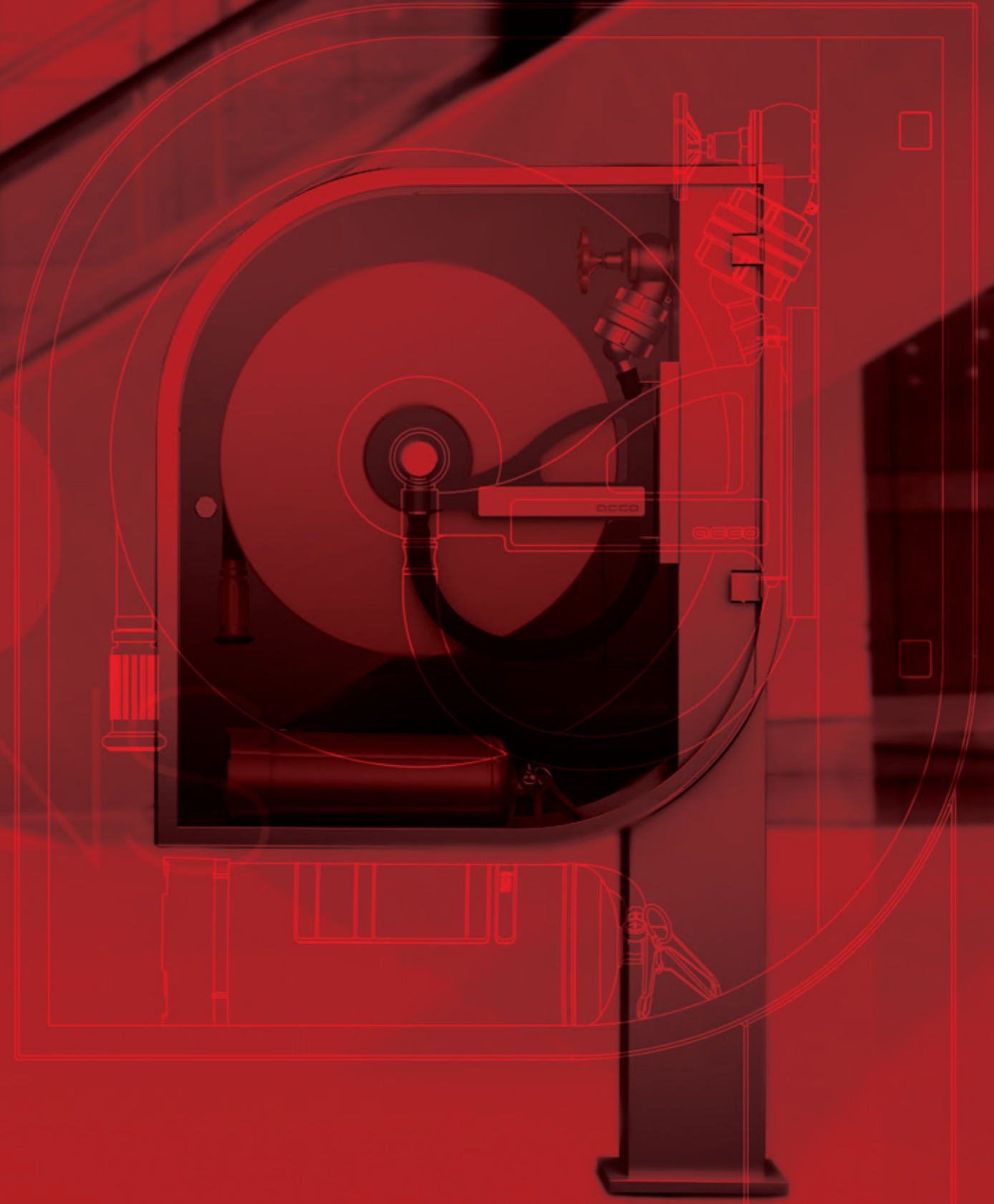




**acco**<sup>®</sup>  
FIRE SOLUTIONS





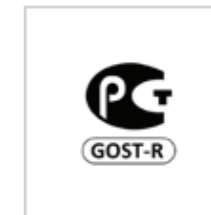
Our Company, which has been established in order to manufacture fire cabinets and mobile fire extinguishing equipment to serve the requirements and purpose of use in buildings, combining the knowledge of its founders about the sector and their innovative approach based on research and development, is based in Ankara.

Manufacturing fire cabinets and mobile fire extinguishing equipment under "Acco Fire Solutions" brand, our Company takes the combined solution of architectural details and functionality as the starting point for its designs and it designs rational products. We provide high quality standard accessible products thanks to our team of specialised engineers that understands the needs of customers correctly and follows up the entire process beginning from manufacturing to delivery and to our advanced machinery which allows us using advanced manufacturing techniques.

Our Company, which focuses on the manufacturing of quality products complying with standards with respect to fire protection products, carries out this mission with its dynamic and young staff.

Our Company, which aims to be one of the important actors in the international fire safety sector, has adopted continuity and originality as a principle in product development and design activities in line with this vision.

Being aware of the importance of the fire safety products it manufactures and bearing the responsibility for them, Acco continues its operations without compromising its principles. Acco never compromises functionality and quality, which are indispensable features of fire safety products which people use at their hardest times and in panic.



INDOOR FIRE CABINETS

CUBE



S.6

PLUS H



S.16

PLUS V



S.26

COMPACT



S.36

MOBILE FOAM UNITS

MIXCAR150



S.74

MIXCAR500



S.74

ARCHITECTURAL SOLUTIONS

SLIMLINE



S.48

CURVE



S.52

CURVE-S



S.56

FIRE REELS

ROLLER - F



S.80

ROLLER - M



S.81

ROLLER - S



S.82

ROLLER - CAR



S.83

OUTDOOR FIRE CABINETS

OUTDOOR - S



S.60

OUTDOOR - L



S.60

EXTINGUISHER CABINETS

BOX-S



S.84

BOX-L



S.84

FOAM SYSTEM CABINETS

MIXBOX30



S.66

MIXBOX50



S.66

EQUIPMENT CABINETS



S.88



# ACCO CUBE

CUBE SERIES SEMI-RIGID  
AND FLAT FABRIC HOSE  
FIRE CABINETS

The CUBE series fire cabinets, which are designed to be suitable for indoor use, have semi-rigid hose model for the structures with no personnel who are trained and have skills of rolling over and connecting hoses and flat fabric hose model for the structures with personnel who have such skills.

The cabinets are used in homes, shopping malls, hotels, hospitals, airports, factories, etc. where fire regulations make it obligatory to use a fire cabinet.



INDOOR  
USE



FLAT FABRIC  
HOSE



SEMI-RIGID  
HOSE



OPERATING  
PRESSURE:  
MAX12 BAR



EASE OF  
INSTALLATION



SHIPMENT  
AS DISASSEMBLED



#### INTERNAL MATERIAL WITH SEMI-RIGID HOSE

- ▣ All the water lines in the reel system are resistant to corrosion and the system is designed to be supplied with water from the centre.
- ▣ Reel has a capacity of 1" 30-m semi-rigid fire hose.
- ▣ The operating pressure of the system is maximum 12 bar and its explosive pressure is minimum 30 bar.
- ▣ 2" brass fire valve with storz fitting is used as the system inlet closing valve.
- ▣ Reel and valve connections are made with storz type adapter and coupling.
- ▣ Reel can oscillate 270° for the suitable use position.
- ▣ 1" water spray nozzle is capable of jetting and spraying depending on the type of fire response.
- ▣ The sheet metal of reel drum is coated with electrostatic powder paint and designed in a way avoiding sharp edges by means of special press method.
- ▣ The inter-connections of all the parts of the reel system are tested 100% and waterproofing is checked.

#### SPECIFICATIONS OF FRAME

- ▣ Built-in or surface-mounted frame is made of corrosion-resistant steel (DKP) coated with electrostatic powder paint or of stainless steel (CrNi).
- ▣ Frames are manufactured in white, red and black colours as standard or, optionally, in Ral codes.
- ▣ Valve connection points are provided on the top, side and back of the frame which allow making installation connections and can be opened later.
- ▣ Frame design allows mounting the reel or hose basket in the right or left direction depending on the direction of valve connection.
- ▣ Frame body is reinforced with additional parts and bends, which ensure flawless operation of the reel and hose basket system.

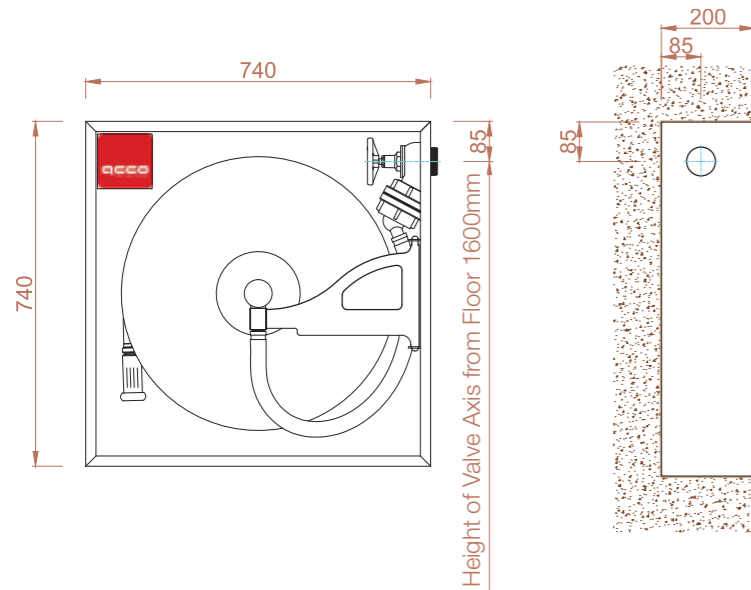


#### INTERNAL MATERIAL WITH FLAT FABRIC HOSE

- ▣ Hose basket has a capacity of 2" 30 m or 2½" 30 m flat fabric hose.
- ▣ The operating pressure of the system is maximum 12 bar and its explosive pressure is minimum 30 bar.
- ▣ 2" or 2½" brass fire valve with storz fitting is used as the system inlet closing valve.
- ▣ Hose and valve connections are made with storz type adapter and coupling.
- ▣ Hose basket has an arm, which can be taken out of the cabinet completely, so that the hose can be taken out easily from the basket.
- ▣ 2" or 2 ½" water spray nozzles are capable of jetting and spraying depending on the type of fire response.
- ▣ Hose baskets are coated with electrostatic powder paint and so that flat fabric hoses can be ventilated.
- ▣ The inter-connections of all the parts of the hose are tested 100% and waterproofing is checked.

**Note:** Valve axes and cabinet interior layout vary with the options of 2½" 20 m and 2½" 30 m internal material. Please consult your customer associate.

- ▣ Poor appearance deriving from installation faults and plaster, mortar, etc. is avoided thanks to the removable embedded installation frame attached onto the built-in frames.
- ▣ The frame has installation, ventilation and water discharge holes, which ensure ease of installation and make the frame have a long life.
- ▣ Cabinet frame has a capacity of one semi-rigid hose reel set or one flat fabric hose basket set.
- ▣ Cabinet frame has a capacity of one 6-kg fire extinguisher, which can stand in an upright position next to the hose basket, with the option of only 2" flat fabric hose as the internal material.
- ▣ Cabinet frame, cover and internal equipment are packaged in separate boxes and shipped separately depending on the site conditions or in line with the customer's request.



## BUILT-IN CABINETS

Model Code

### CB.G.R120.x

BUILT-IN FIRE CABINET

1"20 M SEMI-RIGID HOSE REEL SET

**Cover Options**  
x: K1,K2,K3

1"  
20  
Meters

WidthxLengthxDepth(mm)  
740 X 740 X 200

Model Code

### CB.G.R125.x

BUILT-IN FIRE CABINET

1"25 M SEMI-RIGID HOSE REEL SET

**Cover Options**  
x: K1,K2,K3

1"  
25  
Meters

WidthxLengthxDepth(mm)  
740 X 740 X 200

Model Code

### CB.G.R130.x

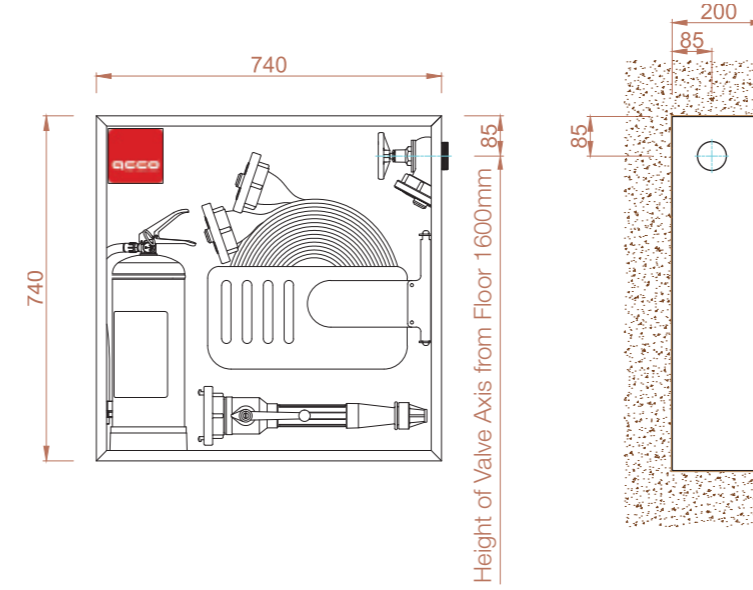
BUILT-IN FIRE CABINET

1"30 M SEMI-RIGID HOSE REEL SET

**Cover Options**  
x: K1,K2,K3

1"  
30  
Meters

WidthxLengthxDepth(mm)  
740 X 740 X 200



## BUILT-IN CABINETS

Model Code

### CB.G.R220.x

BUILT-IN FIRE CABINET

2"20 M FLAT FABRIC HOSE BASKET SET + WITH  
A CAPACITY OF ONE 6-KG FIRE EXTINGUISHER

**Cover Options**  
x: K1,K2,K3

2"  
20  
Meters

WidthxLengthxDepth(mm)  
740 X 740 X 200

Model Code

### CB.G.R230.x

BUILT-IN FIRE CABINET

2"30 M FLAT FABRIC HOSE BASKET SET + WITH  
A CAPACITY OF ONE 6-KG FIRE EXTINGUISHER

**Cover Options**  
x: K1,K2,K3

2"  
30  
Meters

WidthxLengthxDepth(mm)  
740 X 740 X 200

Model Code

### CB.G.R320.x

BUILT-IN FIRE CABINET

2½"20 M FLAT FABRIC HOSE BASKET SET

**Cover Options**  
x: K1,K2,K3

2½"  
20  
Meters

WidthxLengthxDepth(mm)  
740 X 740 X 200

Model Code

### CB.G.R330.x

BUILT-IN FIRE CABINET

2½"30 M FLAT FABRIC HOSE BASKET SET

**Cover Options**  
x: K1,K2,K3

2½"  
30  
Meters

WidthxLengthxDepth(mm)  
740 X 740 X 200

## SURFACE MOUNT CABINETS

Model Code

### CB.S.R120.x

SURFACE MOUNT FIRE CABINET

1"20 M SEMI-RIGID HOSE REEL SET

**Cover Options**  
x: K1,K2,K3

1"  
20  
Meters

WidthxLengthxDepth(mm)  
760 X 760 X 200

Model Code

### CB.S.R125.x

SURFACE MOUNT FIRE CABINET

1"25 M SEMI-RIGID HOSE REEL SET

**Cover Options**  
x: K1,K2,K3

1"  
25  
Meters

WidthxLengthxDepth(mm)  
760 X 760 X 200

Model Code

### CB.S.R130.x

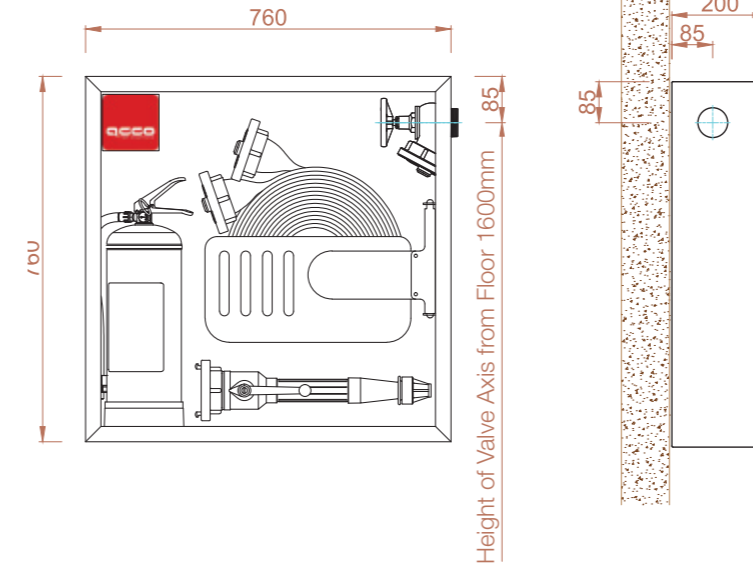
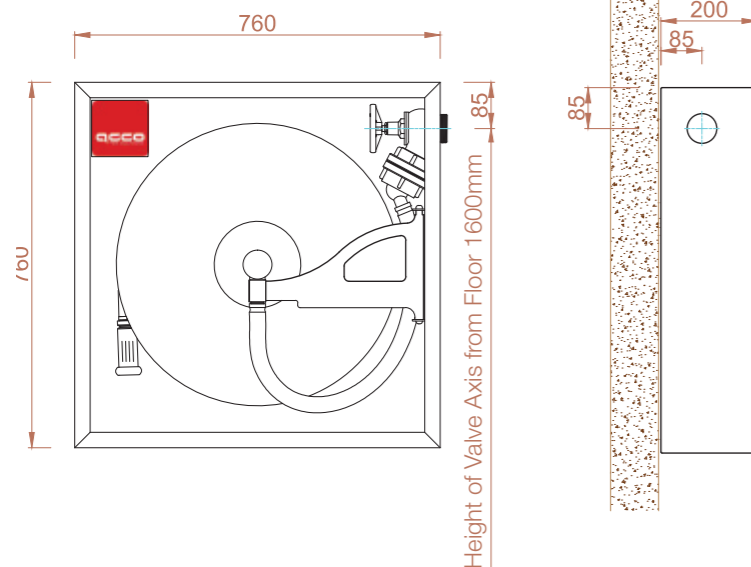
SURFACE MOUNT FIRE CABINET

1"30 M SEMI-RIGID HOSE REEL SET

**Cover Options**  
x: K1,K2,K3

1"  
30  
Meters

WidthxLengthxDepth(mm)  
760 X 760 X 200



## SURFACE MOUNT CABINETS

Model Code

### CB.S.R220.x

SURFACE MOUNT FIRE CABINET

2"20 M M FLAT FABRIC HOSE BASKET SET +  
WITH A CAPACITY OF  
ONE 6-KG FIRE EXTINGUISHER

**Cover Options**  
x: K1,K2,K3

2"  
20  
Meters

WidthxLengthxDepth(mm)  
760 X 760 X 200

Model Code

### CB.S.R230.x

SURFACE MOUNT FIRE CABINET

2"30 M M FLAT FABRIC HOSE BASKET SET +  
WITH A CAPACITY OF  
ONE 6-KG FIRE EXTINGUISHER

**Cover Options**  
x: K1,K2,K3

2"  
30  
Meters

WidthxLengthxDepth(mm)  
760 X 760 X 200

Model Code

### CB.S.R320.x

SURFACE MOUNT FIRE CABINET

2½"20 M FLAT FABRIC HOSE BASKET SET

**Cover Options**  
x: K1,K2,K3

2½"  
20  
Meters

WidthxLengthxDepth(mm)  
760 X 760 X 200

Model Code

### CB.S.R330.x

SURFACE MOUNT FIRE CABINET

2½"30 M FLAT FABRIC HOSE BASKET SET

**Cover Options**  
x: K1,K2,K3

2½"  
30  
Meters

WidthxLengthxDepth(mm)  
760 X 760 X 200

x: cover code. Select one of K1, K2, and K3 model fire covers.

x: cover code. Select one of K1, K2, and K3 model fire covers.

Note: Valve axes and cabinet interior layout vary with the options of 2 ½ " 20 m and 2 ½ " 30 m internal material. Please consult your customer associate.

# ACCO CUBE

## K1

SMART GLASS COVER  
Model Code: K1  
Colour Options: White, Black, Red



12

- Smart glass covers have a design adapted to architectural details and plain and stylish thanks to their monoblock glass appearance.
- Glass cover frames are made of steel (DKP) agreeing with the colour of glass and coated with corrosion-resistant electrostatic powder paint.
- Cover glasses are manufactured as tempered 4-mm thick glass and in black, white and red colours as standard or, optionally, in RAL codes.
- Cover handle, which is designed to be ergonomic and embedded, is made of stainless steel (CrNi).
- Warning letterings and markings are provided on the glass surface.
- The hidden hinge system, which allows opening the cover 180°, is made of stainless steel (CrNi).
- Specially designed magnetic lock system is provided on the cover.
- Covers can be packaged independently from the frame and internal material and installed at the final stage when the building is about to be put into operation without being damaged during the construction.

# ACCO CUBE

## K2

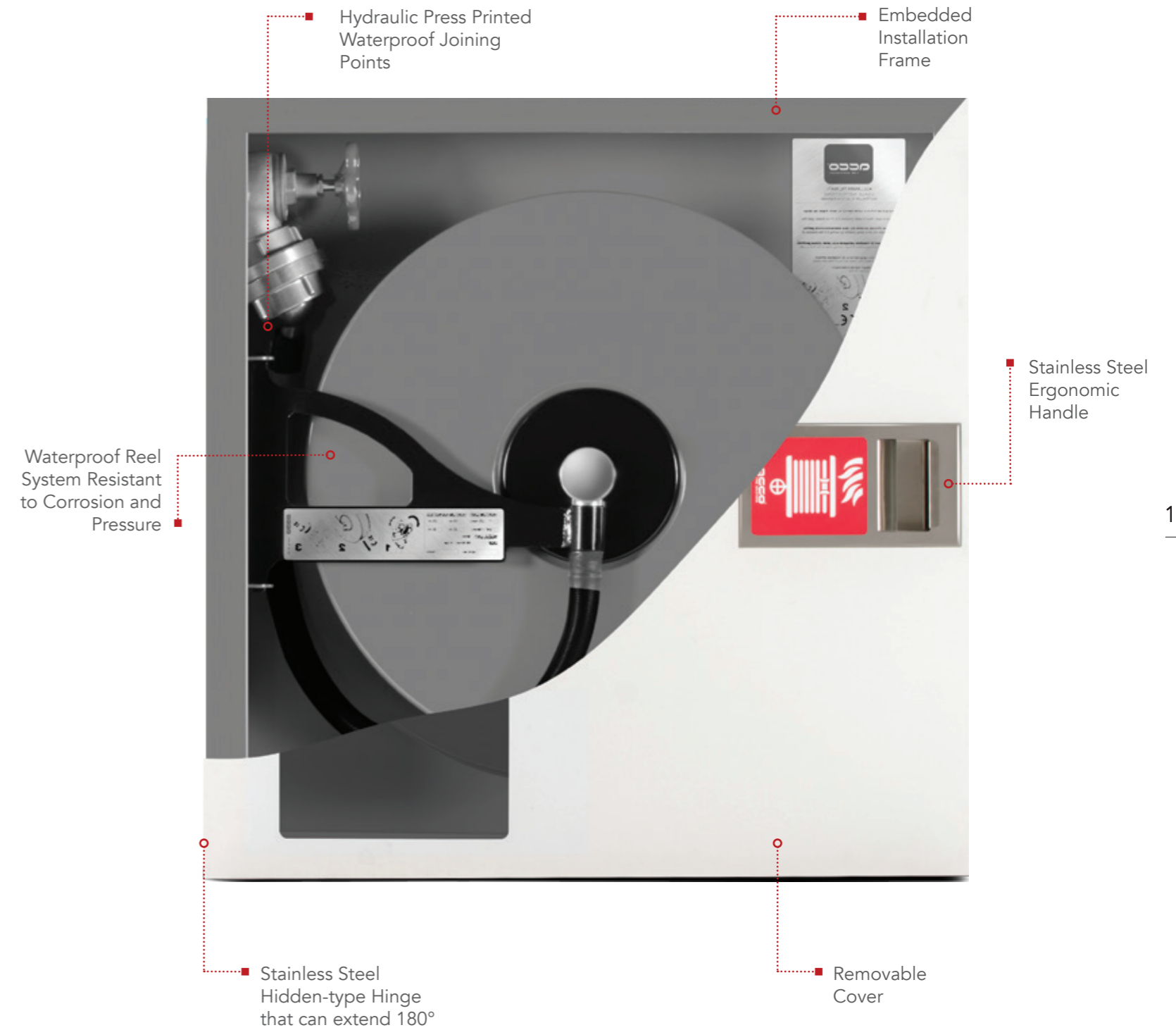
SEMI-GLASS COVER  
Model Code: K2  
Colour Options: Red, White, Stain Stainless Steel



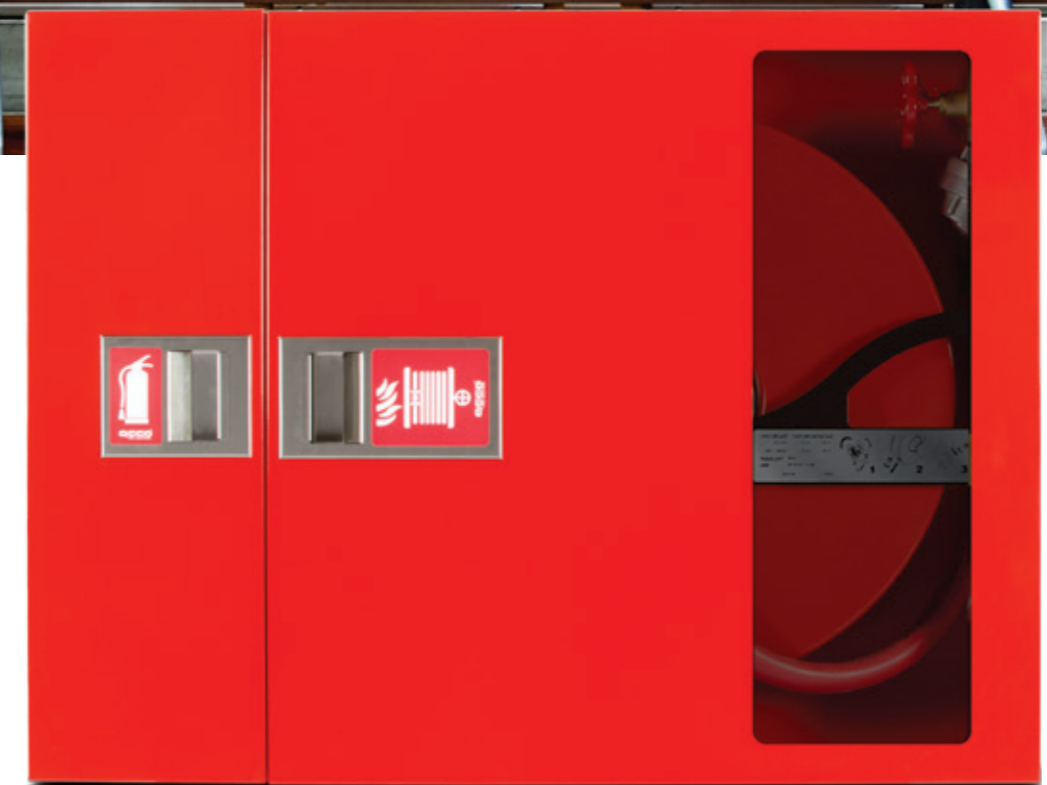
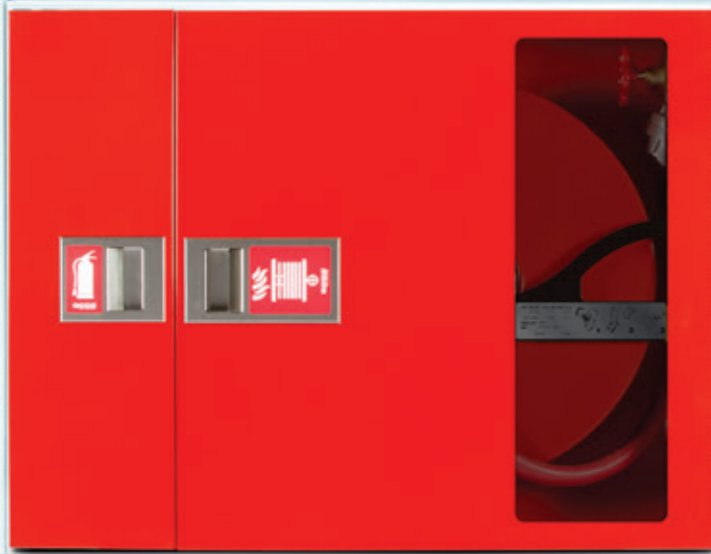
13

- The body of side glass covers is made of corrosion-resistant steel (DKP) coated with electrostatic powder paint or of stainless steel (CrNi).
- Cover glasses are tempered and 4 mm thick and smoke-coloured.
- Semi-glass covers are manufactured in white and red colours as standard or, optionally, in Ral codes.
- Cover handle, which is designed to be ergonomic and embedded, is made of stainless steel (CrNi).
- Warning letterings and markings are provided on the handle of the cover.
- The hidden hinge system, which allows opening the cover 180°, is made of stainless steel (CrNi). " Specially designed magnetic lock system is provided on the cover.
- Covers can be packaged independently from the frame and internal material and installed at the final stage when the building is about to be put into operation without being damaged during the construction.





- Sheet metal covers are made of corrosion-resistant steel (DKP) coated with electrostatic powder paint or of stainless steel (CrNi).
- Sheet metal covers are manufactured in white and red colours as standard or, optionally, in Ral codes.
- Cover handle, which is designed to be ergonomic and embedded, is made of stainless steel (CrNi).
- Warning letterings and markings are provided on the handle of the cover.
- The hidden hinge system, which allows opening the cover 180°, is made of stainless steel (CrNi).
- Specially designed magnetic lock system is provided on the cover.
- Covers can be packaged independently from the frame and internal material and installed at the final stage when the building is about to be put into operation without being damaged during the construction.



# ACCO PLUS-H

PLUS-H SERIES SEMI-RIGID  
AND FLAT FABRIC HOSE FIRE  
CABINETS

The PLUS-H series fire cabinets, which are designed to be suitable for indoor use, have semi-rigid hose model for the structures with no personnel who are trained and have skills of rolling over and connecting hoses and flat fabric hose model for the structures with personnel who have such skills.

The cabinets are used in homes, shopping malls, hotels, hospitals, airports, factories, etc. where fire regulations make it obligatory to use a fire cabinet.

-  INDOOR USE
-  FLAT FABRIC HOSE
-  SEMI-RIGID HOSE
-  OPERATING PRESSURE : MAX12 BAR
-  EASE OF INSTALLATION
-  SHIPMENT AS DISASSEMBLED
-  FIRE EXTINGUISHER



### INTERNAL MATERIAL WITH SEMI-RIGID HOSE

- ▣ All the water lines in the reel system are resistant to corrosion and the system is designed to be supplied with water from the centre.
- ▣ Reel has a capacity of 1" - 30m semi-rigid fire hose.
- ▣ The operating pressure of the system is maximum 12 bar and its explosive pressure is minimum 30 bar.
- ▣ 2" brass fire valve with storz fitting is used as the system inlet closing valve.
- ▣ Reel and valve connections are made with storz type adapter and coupling.
- ▣ Reel can oscillate 270° for the suitable use position.
- ▣ 1" water spray nozzle is capable of jetting and spraying depending on the type of fire response.
- ▣ The sheet metal of reel drum is coated with electrostatic powder paint and designed in a way avoiding sharp edges by means of special press method.
- ▣ The inter-connections of all the parts of the reel system are tested 100% and waterproofing is checked.

### INTERNAL MATERIAL WITH FLAT FABRIC HOSE

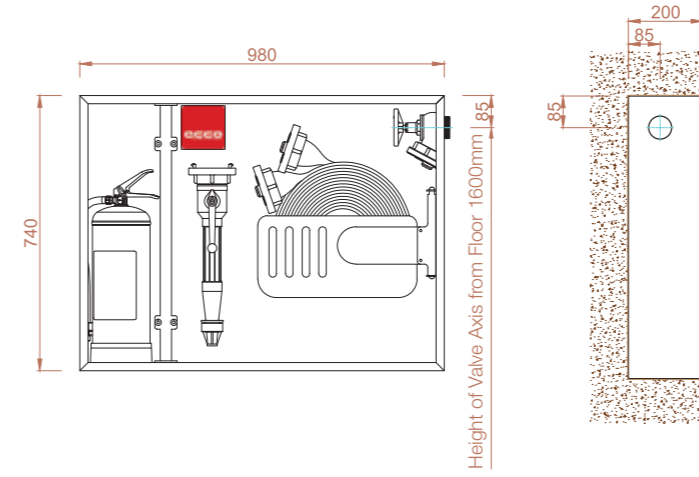
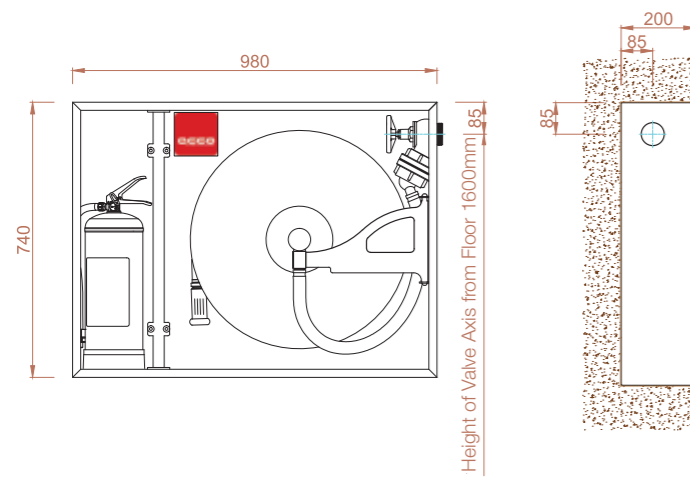
- ▣ Hose basket has a capacity of 2" 30 mm flat fabric hose.
- ▣ The operating pressure of the system is maximum 12 bar and its explosive pressure is minimum 30 bar.
- ▣ 2" or 2½" brass fire valve with storz fitting is used as the system inlet closing valve.
- ▣ Hose and valve connections are made with storz type adapter and coupling.
- ▣ Hose basket has an arm, which can be taken out of the cabinet completely, so that the hose can be taken out easily from the basket.
- ▣ 2" or 2½" water spray nozzles are capable of jetting and spraying depending on the type of fire response.
- ▣ Hose baskets are coated with electrostatic powder paint and so that flat fabric hoses can be ventilated.
- ▣ The inter-connections of all the parts of the hose are tested 100% and waterproofing is checked.

**Note:** Valve axes and cabinet interior layout vary with the options of 2½" 20 m and 2½" 30 m internal material. Please consult your customer associate.

### SPECIFICATIONS OF FRAME

- ▣ Built-in or surface-mounted frame is made of corrosion-resistant steel (DKP) coated with electrostatic powder paint or of stainless steel (CrNi).
- ▣ Frames are manufactured in white, red and black colours as standard or, optionally, in Ral codes.
- ▣ Valve connection points are provided on the top, side and back of the frame which allow making installation connections and can be opened later.
- ▣ Frame design allows mounting the reel or hose basket in the right or left direction depending on the direction of valve connection.
- ▣ Frame body is reinforced with additional parts and bends, which ensure flawless operation of the reel and hose basket system.

- ▣ Poor appearance deriving from installation faults and plaster, mortar, etc. is avoided thanks to the removable embedded installation frame attached onto the built-in frames.
- ▣ The frame has installation, ventilation and water discharge holes, which ensure ease of installation and make the frame have a long life.
- ▣ Cabinet frame has a capacity of one semi-rigid hose reel set or one flat fabric hose basket set.
- ▣ In the cabinet frame, a fire extinguisher space, which has a separate cover and a capacity of one 6-kg fire extinguisher that can stand in an upright position next to the reel or hose basket, is provided.
- ▣ Cabinet frame, cover and internal equipment are packaged in separate boxes and shipped separately depending on the site conditions or in line with the customer's request.



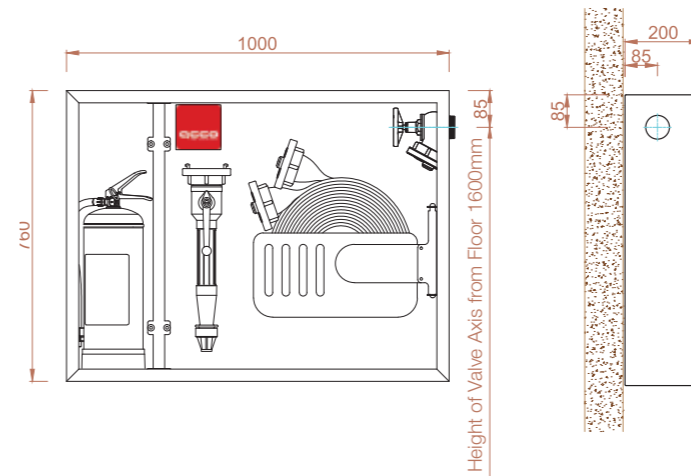
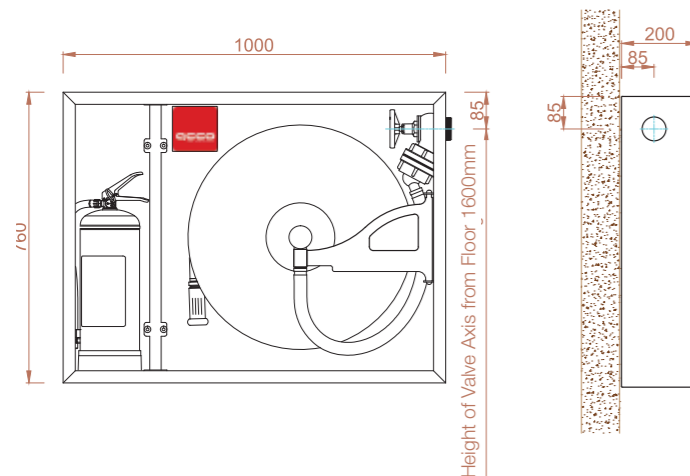
## BUILT-IN CABINETS

Model Code	<b>PH.G.R120.x</b> BUILT-IN FIRE CABINET 1"20 M SEMI-RIGID HOSE REEL SET + WITH A CAPACITY OF ONE 6-KG FIRE EXTINGUISHER <b>Cover Options</b> x: K1,K2,K3	1" 20 Meters WidthxLengthxDepth(mm) 980 X 740 X 200
Model Code	<b>PH.G.R125.x</b> BUILT-IN FIRE CABINET 1"25 M SEMI-RIGID HOSE REEL SET + WITH A CAPACITY OF ONE 6-KG FIRE EXTINGUISHER <b>Cover Options</b> x: K1,K2,K3	1" 25 Meters WidthxLengthxDepth(mm) 980 X 740 X 200
Model Code	<b>PH.G.R130.x</b> BUILT-IN FIRE CABINET 1"30 M SEMI-RIGID HOSE REEL SET + WITH A CAPACITY OF ONE 6-KG FIRE EXTINGUISHER <b>Cover Options</b> x: K1,K2,K3	1" 30 Meters WidthxLengthxDepth(mm) 980 X 740 X 200

## BUILT-IN CABINETS

Model Code	<b>PH.G.R220.x</b> BUILT-IN FIRE CABINET 2"20 M FLAT FABRIC HOSE BASKET SET WITH A CAPACITY OF ONE 6-KG FIRE EXTINGUISHER <b>Cover Options</b> x: K1,K2,K3	2" 20 Meters WidthxLengthxDepth(mm) 980 X 740 X 200
Model Code	<b>PH.G.R230.x</b> BUILT-IN FIRE CABINET 2"30 M FLAT FABRIC HOSE BASKET SET WITH A CAPACITY OF ONE 6-KG FIRE EXTINGUISHER <b>Cover Options</b> x: K1,K2,K3	2" 30 Meters WidthxLengthxDepth(mm) 980 X 740 X 200
Model Code	<b>PH.G.R320.x</b> BUILT-IN FIRE CABINET 2½"20 M FLAT FABRIC HOSE BASKET SET WITH A CAPACITY OF ONE 6-KG FIRE EXTINGUISHER <b>Cover Options</b> x: K1,K2,K3	2½" 20 Meters WidthxLengthxDepth(mm) 980 X 740 X 200
Model Code	<b>PH.G.R330.x</b> BUILT-IN FIRE CABINET 2½"30 M FLAT FABRIC HOSE BASKET SET WITH A CAPACITY OF ONE 6-KG FIRE EXTINGUISHER <b>Cover Options</b> x: K1,K2,K3	2½" 30 Meters WidthxLengthxDepth(mm) 980 X 740 X 200

## SURFACE MOUNT CABINETS



Model Code	<b>PH.S.R120.x</b> SURFACE MOUNT FIRE CABINET 1"20 M SEMI-RIGID HOSE REEL SET + WITH A CAPACITY OF ONE 6-KG FIRE EXTINGUISHER <b>Cover Options</b> x: K1,K2,K3	1" 20 Meters WidthxLengthxDepth(mm) 1000 X 760 X 200
Model Code	<b>PH.S.R125.x</b> SURFACE MOUNT FIRE CABINET 1"25 M SEMI-RIGID HOSE REEL SET + WITH A CAPACITY OF ONE 6-KG FIRE EXTINGUISHER <b>Cover Options</b> x: K1,K2,K3	1" 25 Meters WidthxLengthxDepth(mm) 1000 X 760 X 200
Model Code	<b>PH.S.R130.x</b> SURFACE MOUNT FIRE CABINET 1"30 M SEMI-RIGID HOSE REEL SET + WITH A CAPACITY OF ONE 6-KG FIRE EXTINGUISHER <b>Cover Options</b> x: K1,K2,K3	1" 30 Meters WidthxLengthxDepth(mm) 1000 X 760 X 200

## SURFACE MOUNT CABINETS

Model Code	<b>PH.S.R220.x</b> SURFACE MOUNT FIRE CABINET 2"20 M FLAT FABRIC HOSE BASKET SET + WITH A CAPACITY OF ONE 6-KG FIRE EXTINGUISHER <b>Cover Options</b> x: K1,K2,K3	2" 20 Meters WidthxLengthxDepth(mm) 1000 X 760 X 200
Model Code	<b>PH.S.R230.x</b> SURFACE MOUNT FIRE CABINET 2"30 M FLAT FABRIC HOSE BASKET SET + WITH A CAPACITY OF ONE 6-KG FIRE EXTINGUISHER <b>Cover Options</b> x: K1,K2,K3	2" 30 Meters WidthxLengthxDepth(mm) 1000 X 760 X 200
Model Code	<b>PH.S.R320.x</b> SURFACE MOUNT FIRE CABINET 2½"20 M FLAT FABRIC HOSE BASKET SET + WITH A CAPACITY OF ONE 6-KG FIRE EXTINGUISHER <b>Cover Options</b> x: K1,K2,K3	2½" 20 Meters WidthxLengthxDepth(mm) 1000 X 760 X 200
Model Code	<b>PH.S.R330.x</b> SURFACE MOUNT FIRE CABINET 2½"30 M FLAT FABRIC HOSE BASKET SET + WITH A CAPACITY OF ONE 6-KG FIRE EXTINGUISHER <b>Cover Options</b> x: K1,K2,K3	2½" 30 Meters WidthxLengthxDepth(mm) 1000 X 760 X 200

x: cover code. Select one of K1, K2, and K3 model fire covers.

x: cover code. Select one of K1, K2, and K3 model fire covers.

**Note:**Valve axes and cabinet interior layout vary with the options of 2 ½ " 20 m and 2 ½ " 30 m internal material. Please consult your customer associate.

# ACCO PLUS-H

## K1

SMART GLASS COVER  
Model Code: K1  
Colour Options: White, Black, Red



# ACCO PLUS-H

## K2

SEMI-GLASS COVER  
Model Code: K2  
Colour Options: Red, White, Stain Stainless Steel

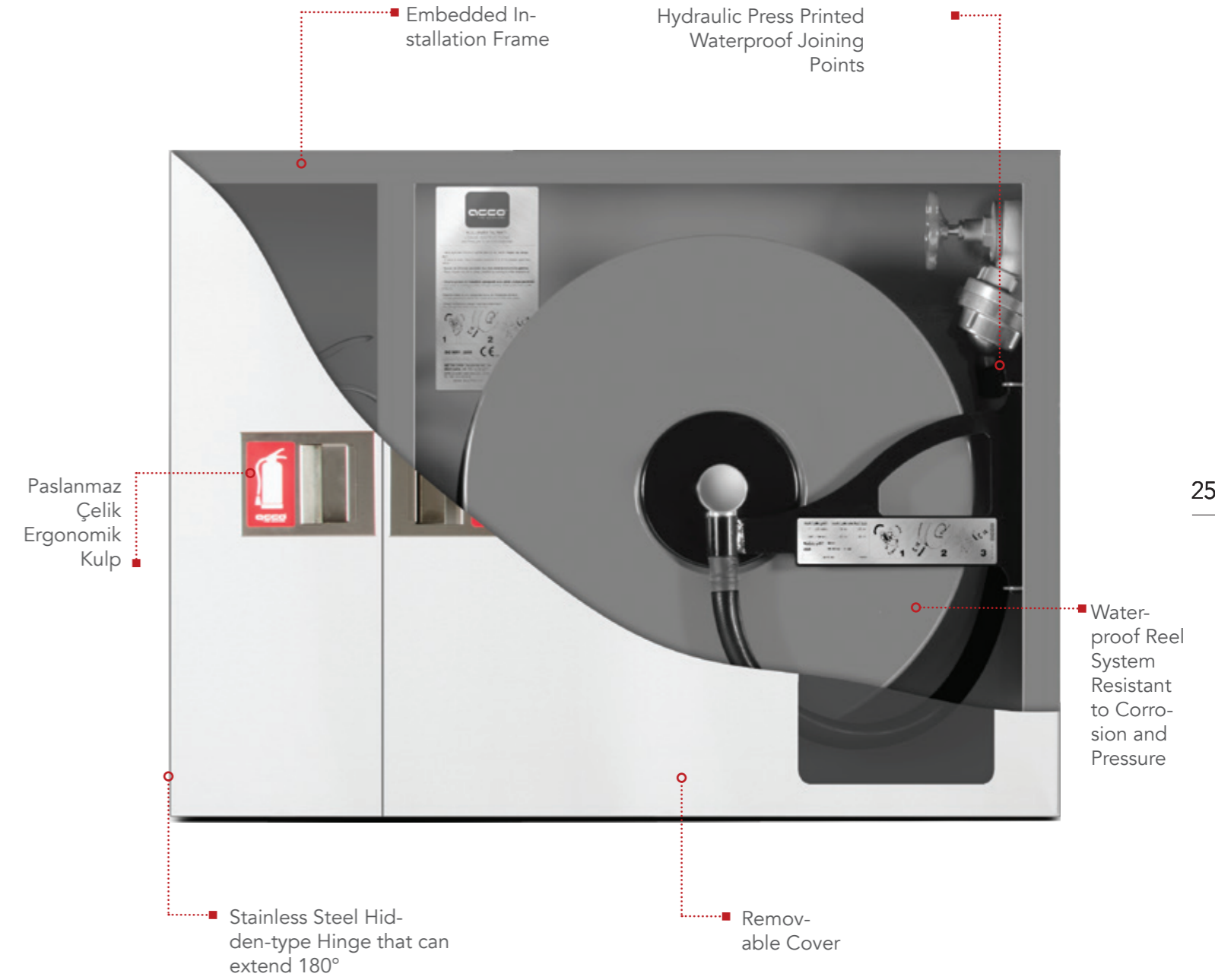


- ▣ Smart glass covers have a design adapted to architectural details and plain and stylish thanks to their monoblock glass appearance.
- ▣ Glass cover frames are made of steel (DKP) agreeing with the colour of glass and coated with corrosion-resistant electrostatic powder paint.
- ▣ Cover glasses are manufactured as tempered 4-mm thick glass and in black, white and red colours as standard or, optionally, in RAL codes.
- ▣ There are two covers which provide access to reel and extinguisher sections individually.
- ▣ Cover handle, which is designed to be ergonomic and embedded, is made of stainless steel (CrNi).
- ▣ Warning letterings and markings are provided on the glass surface.
- ▣ The hidden hinge system, which allows opening the cover 180°, is made of stainless steel (CrNi).
- ▣ Specially designed magnetic lock system is provided on the cover.
- ▣ Covers can be packaged independently from the frame and internal material and installed at the final stage when the building is about to be put into operation without being damaged during the construction.

- ▣ The body of side glass covers is made of corrosion-resistant steel (DKP) coated with electrostatic powder paint or of stainless steel (CrNi).
- ▣ Cover glasses are tempered and 4 mm thick and smoke-coloured.
- ▣ Semi-glass covers are manufactured in white and red colours as standard or, optionally, in RAL codes.
- ▣ There are two covers which provide access to reel and extinguisher sections individually.
- ▣ Cover handle, which is designed to be ergonomic and embedded, is made of stainless steel (CrNi).
- ▣ Warning letterings and markings are provided on the handle of the cover.
- ▣ The hidden hinge system, which allows opening the cover 180°, is made of stainless steel (CrNi).
- ▣ Specially designed magnetic lock system is provided on the cover.
- ▣ Covers can be packaged independently from the frame and internal material and installed at the final stage when the building is about to be put into operation without being damaged during the construction.



24



25

- Sheet metal covers are made of corrosion-resistant steel (DKP) coated with electrostatic powder paint or of stainless steel (CrNi).
- Sheet metal covers are manufactured in white and red colours as standard or, optionally, in Ral codes.
- There are two covers which provide access to reel and extinguisher sections individually.
- Cover handle, which is designed to be ergonomic and embedded, is made of stainless steel (CrNi).
- Warning letterings and markings are provided on the handle of the cover.
- The hidden hinge system, which allows opening the cover 180°, is made of stainless steel (CrNi).
- Specially designed magnetic lock system is provided on the cover.
- Covers can be packaged independently from the frame and internal material and installed at the final stage when the building is about to be put into operation without being damaged during the construction.



# ACCO PLUS-V

PLUS-V SERIES SEMI-RIGID  
AND FLAT FABRIC HOSE FIRE  
CABINETS

The PLUS-V series fire cabinets, which are designed to be suitable for indoor use, have semi-rigid hose model for the structures with no personnel who are trained and have skills of rolling over and connecting hoses and flat fabric hose model for the structures with personnel who have such skills.

The cabinets are used in homes, shopping malls, hotels, hospitals, airports, factories, etc. where fire regulations make it obligatory to use a fire cabinet.



-  INDOOR USE
-  FLAT FABRIC HOSE
-  SEMI-RIGID HOSE
-  ÇALIŞMA BASINCI: MAX12 BAR
-  EASE OF INSTALLATION
-  SHIPMENT AS DISASSEMBLED
-  FIRE EXTINGUISHER



#### INTERNAL MATERIAL WITH SEMI-RIGID HOSE

- ▣ All the water lines in the reel system are resistant to corrosion and the system is designed to be supplied with water from the centre.
- ▣ Reel has a capacity of 1" 30-m semi-rigid fire hose.
- ▣ The operating pressure of the system is maximum 12 bar and its explosive pressure is minimum 30 bar.
- ▣ 2" brass fire valve with storz fitting is used as the system inlet closing valve.
- ▣ Reel and valve connections are made with storz type adapter and coupling.
- ▣ Reel can oscillate 270° for the suitable use position.
- ▣ 1" water spray nozzle is capable of jetting and spraying depending on the type of fire response.
- ▣ The sheet metal of reel drum is coated with electrostatic powder paint and designed in a way avoiding sharp edges by means of special press method.
- ▣ The inter-connections of all the parts of the reel system are tested 100% and waterproofing is checked.

#### SPECIFICATIONS OF FRAME

- ▣ Built-in or surface-mounted frame is made of corrosion-resistant steel (DKP) coated with electrostatic powder paint or of stainless steel (CrNi).
- ▣ Frames are manufactured in white, red and black colours as standard or, optionally, in Ral codes.
- ▣ Valve connection points are provided on the top, side and back of the frame which allow making installation connections and can be opened later.
- ▣ Frame design allows mounting the reel or hose basket in the right or left direction depending on the direction of valve connection.
- ▣ Frame body is reinforced with additional parts and bends, which ensure flawless operation of the reel and hose basket system.

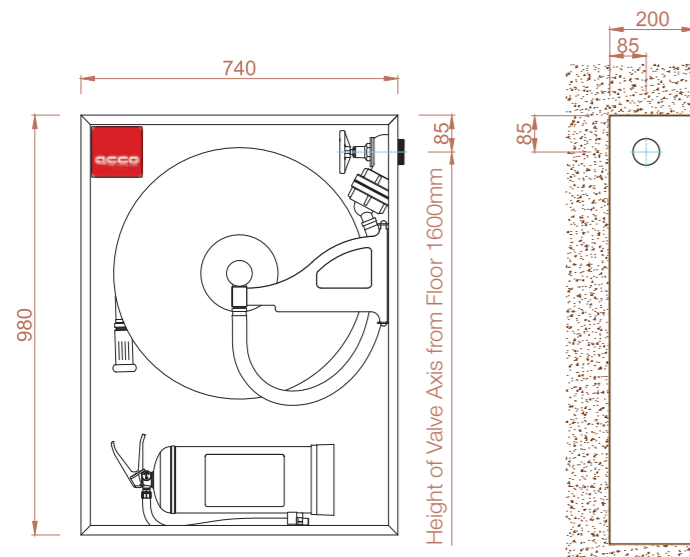


#### INTERNAL MATERIAL WITH FLAT FABRIC HOSE

- ▣ Hose basket has a capacity of 2" 30 m or 2½" 30 m flat fabric hose.
- ▣ The operating pressure of the system is maximum 12 bar and its explosive pressure is minimum 30 bar.
- ▣ 2" or 2½" brass fire valve with storz fitting is used as the system inlet closing valve.
- ▣ Hose and valve connections are made with storz type adapter and coupling.
- ▣ Hose basket has an arm, which can be taken out of the cabinet completely, so that the hose can be taken out easily from the basket.
- ▣ "2" or 2 ½" water spray nozzles are capable of jetting and spraying depending on the type of fire response.
- ▣ Hose baskets are coated with electrostatic powder paint and so that flat fabric hoses can be ventilated.
- ▣ The inter-connections of all the parts of the hose are tested 100% and waterproofing is checked.

- ▣ Poor appearance deriving from installation faults and plaster, mortar, etc. is avoided thanks to the removable embedded installation frame attached onto the built-in frames.
- ▣ The frame has installation, ventilation and water discharge holes, which ensure ease of installation and make the frame have a long life.
- ▣ Cabinet frame has a capacity of one semi-rigid hose reel set or one flat fabric hose basket.
- ▣ Cabinet frame, reel or hose basket has a capacity of one 6-kg fire extinguisher which can be placed horizontally at bottom.
- ▣ Cabinet frame, cover and internal equipment are packaged in separate boxes and shipped separately depending on the site conditions or in line with the customer's request.

## BUILT-IN CABINETS



Model Code

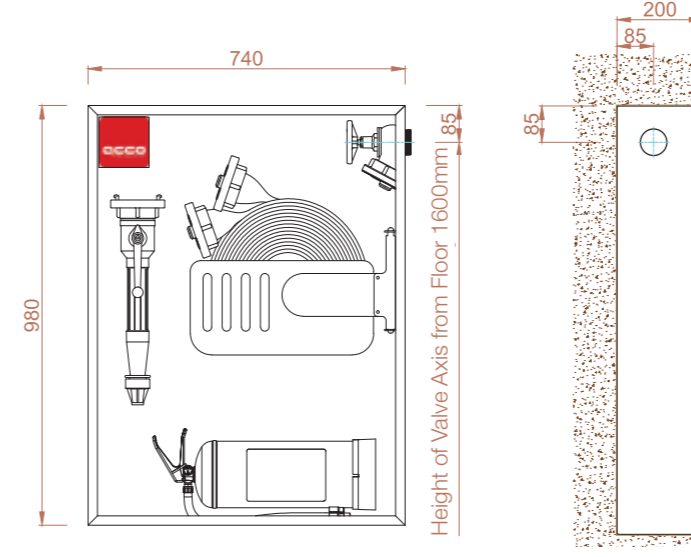
**PV.G.R120.x**  
BUILT-IN FIRE CABINET  
1"20 M SEMI-RIGID HOSE REEL SET WITH A CAPACITY OF ONE 6-KG FIRE EXTINGUISHER  
**Cover Options**  
x: K1,K2,K3  
WidthxLengthxDepth(mm)  
740 X 980 X 200

Model Code

**PV.G.R125.x**  
BUILT-IN FIRE CABINET  
1"25 M SEMI-RIGID HOSE REEL SET WITH A CAPACITY OF ONE 6-KG FIRE EXTINGUISHER  
**Cover Options**  
x: K1,K2,K3  
WidthxLengthxDepth(mm)  
740 X 980 X 200

Model Code

**PV.G.R130.x**  
BUILT-IN FIRE CABINET  
1"30 M SEMI-RIGID HOSE REEL SET WITH A CAPACITY OF ONE 6-KG FIRE EXTINGUISHER  
**Cover Options**  
x: K1,K2,K3  
WidthxLengthxDepth(mm)  
740 X 980 X 200



## BUILT-IN CABINETS

Model Code

**PV.G.R220.x**  
BUILT-IN FIRE CABINET  
2"20 M FLAT FABRIC HOSE BASKET SET WITH A CAPACITY OF ONE 6-KG FIRE EXTINGUISHER  
**Cover Options**  
x: K1,K2,K3  
WidthxLengthxDepth(mm)  
740 X 980 X 200

Model Code

**PV.G.R230.x**  
BUILT-IN FIRE CABINET  
2"30 M FLAT FABRIC HOSE BASKET SET WITH A CAPACITY OF ONE 6-KG FIRE EXTINGUISHER  
**Cover Options**  
x: K1,K2,K3  
WidthxLengthxDepth(mm)  
740 X 980 X 200

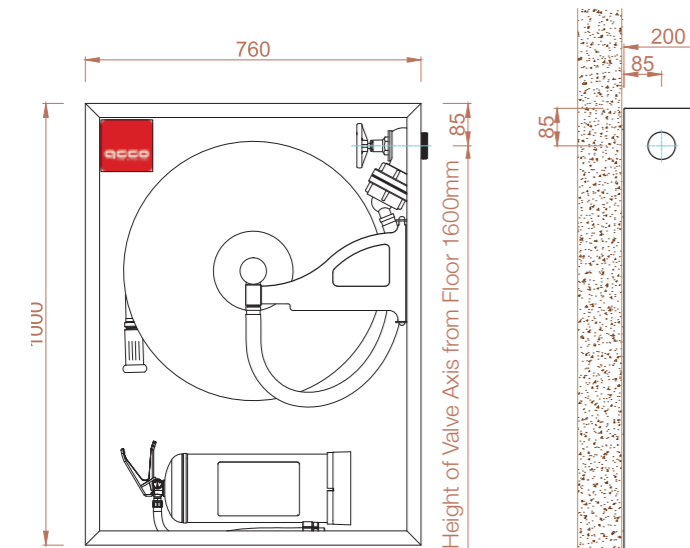
Model Code

**PV.G.R320.x**  
BUILT-IN FIRE CABINET  
2 1/2"20 M FLAT FABRIC HOSE BASKET SET WITH A CAPACITY OF ONE 6-KG FIRE EXTINGUISHER  
**Cover Options**  
x: K1,K2,K3  
WidthxLengthxDepth(mm)  
740 X 980 X 200

Model Code

**PV.G.R330.x**  
BUILT-IN FIRE CABINET  
2 1/2"30 M FLAT FABRIC HOSE BASKET SET WITH A CAPACITY OF ONE 6-KG FIRE EXTINGUISHER  
**Cover Options**  
x: K1,K2,K3  
WidthxLengthxDepth(mm)  
740 X 980 X 200

## SURFACE MOUNT CABINETS



Model Code

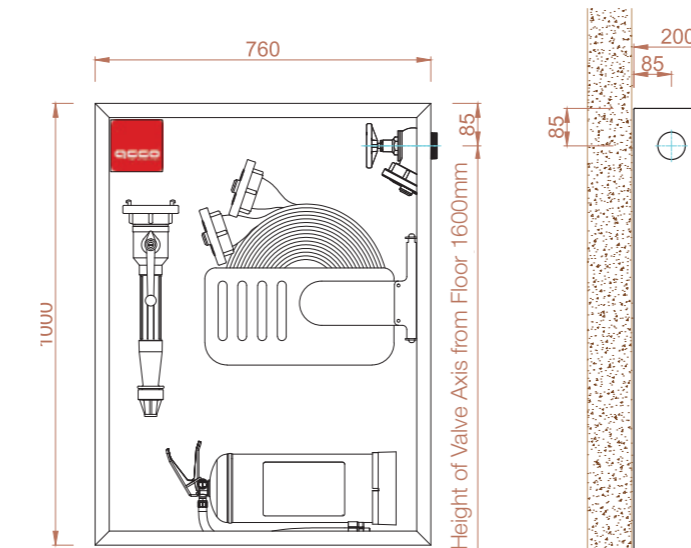
**PV.S.R120.x**  
SURFACE MOUNT FIRE CABINET  
1"20 M SEMI-RIGID HOSE REEL SET + WITH A CAPACITY OF ONE 6-KG FIRE EXTINGUISHER  
**Cover Options**  
x: K1,K2,K3  
WidthxLengthxDepth(mm)  
760 X 1000 X 200

Model Code

**PV.S.R125.x**  
SURFACE MOUNT FIRE CABINET  
1"25 M SEMI-RIGID HOSE REEL SET+ WITH A CAPACITY OF ONE 6-KG FIRE EXTINGUISHER  
**Cover Options**  
x: K1,K2,K3  
WidthxLengthxDepth(mm)  
760 X 1000 X 200

Model Code

**PV.S.R130.x**  
SURFACE MOUNT FIRE CABINET  
1"30 M SEMI-RIGID HOSE REEL SET + WITH A CAPACITY OF ONE 6-KG FIRE EXTINGUISHER  
**Cover Options**  
x: K1,K2,K3  
WidthxLengthxDepth(mm)  
760 X 1000 X 200



## SURFACE MOUNT CABINETS

Model Code

**PV.S.R220.x**  
SURFACE MOUNT FIRE CABINET  
2"20 M FLAT FABRIC HOSE BASKET SET + WITH A CAPACITY OF ONE 6-KG FIRE EXTINGUISHER  
**Cover Options**  
x: K1,K2,K3  
WidthxLengthxDepth(mm)  
760 X 1000 X 200

Model Code

**PV.S.R230.x**  
SURFACE MOUNT FIRE CABINET  
2"30 M FLAT FABRIC HOSE BASKET SET + WITH A CAPACITY OF ONE 6-KG FIRE EXTINGUISHER  
**Cover Options**  
x: K1,K2,K3  
WidthxLengthxDepth(mm)  
760 X 1000 X 200

Model Code

**PV.S.R320.x**  
SURFACE MOUNT FIRE CABINET  
2 1/2"20 M FLAT FABRIC HOSE BASKET SET + WITH A CAPACITY OF ONE 6-KG FIRE EXTINGUISHER  
**Cover Options**  
x: K1,K2,K3  
WidthxLengthxDepth(mm)  
760 X 1000 X 200

Model Code

**PV.S.R330.x**  
SURFACE MOUNT FIRE CABINET  
2 1/2"30 M FLAT FABRIC HOSE BASKET SET + WITH A CAPACITY OF ONE 6-KG FIRE EXTINGUISHER  
**Cover Options**  
x: K1,K2,K3  
WidthxLengthxDepth(mm)  
760 X 1000 X 200

x: cover code. Select one of K1, K2, and K3 model fire covers.

x: cover code. Select one of K1, K2, and K3 model fire covers.

**Note:** Valve axes and cabinet interior layout vary with the options of 2 1/2" 20 m and 2 1/2" 30 m internal material. Please consult your customer associate.

# ACCO PLUS-V

## K1

SMART GLASS COVER  
Model Code: K1  
Colour Options: White, Black, Red

# ACCO PLUS-V

## K2

SEMI-GLASS COVER  
Model Code: K2  
Colour Options: Red, White, Stain Stainless Steel

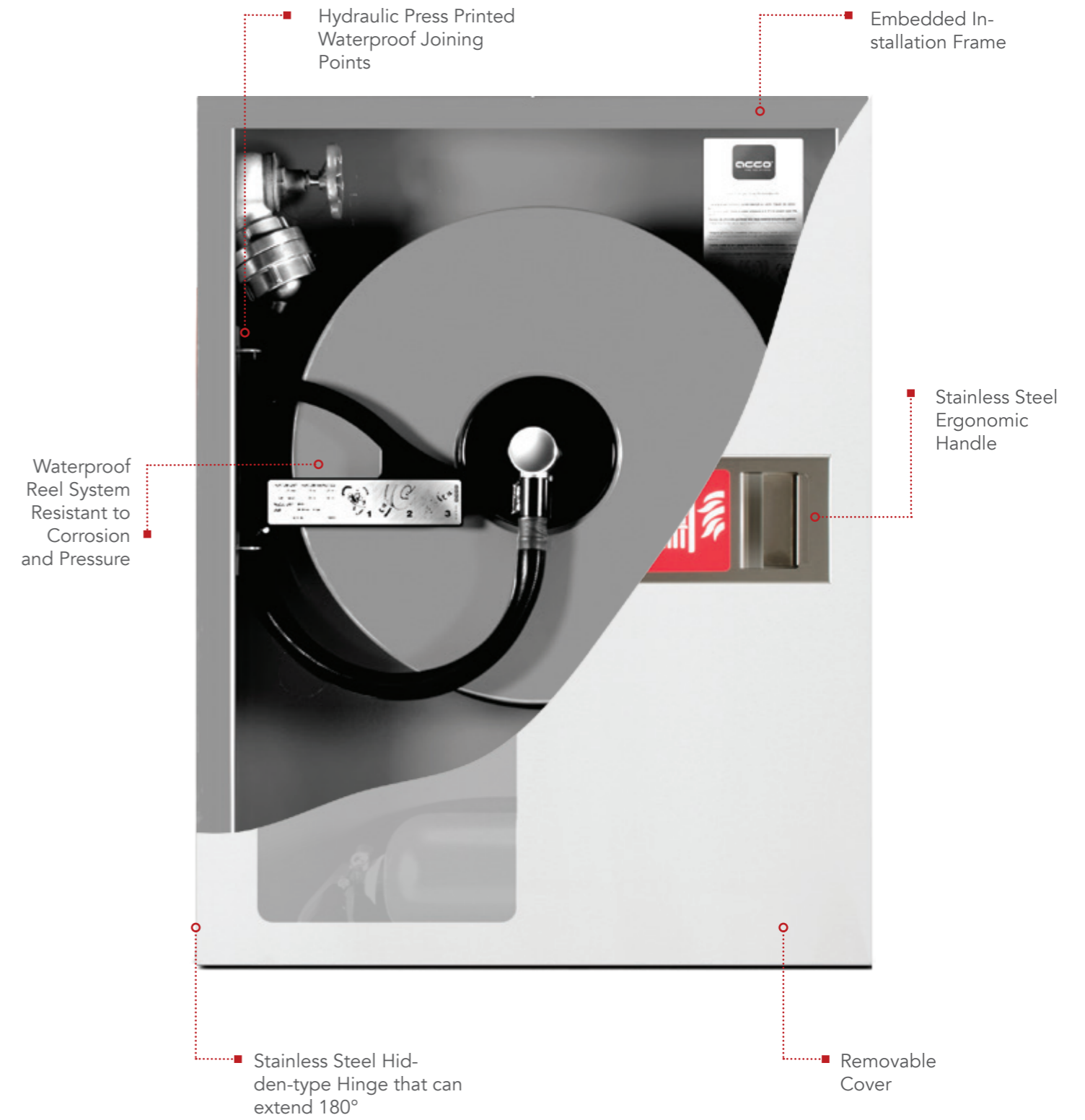


32

33

- Smart glass covers have a design adapted to architectural details and plain and stylish thanks to their monoblock glass appearance.
- Glass cover frames are made of steel (DKP) agreeing with the colour of glass and coated with corrosion-resistant electrostatic powder paint.
- Cover glasses are manufactured as tempered 4-mm thick glass and in black, white and red colours as standard or, optionally, in RAL codes.
- Cover handle, which is designed to be ergonomic and embedded, is made of stainless steel (CrNi).
- Warning letterings and markings are provided on the glass surface.
- The hidden hinge system, which allows opening the cover 180°, is made of stainless steel (CrNi).
- Specially designed magnetic lock system is provided on the cover.
- Covers can be packaged independently from the frame and internal material and installed at the final stage when the building is about to be put into operation without being damaged during the construction.

- The body of side glass covers is made of corrosion-resistant steel (DKP) coated with electrostatic powder paint or of stainless steel (CrNi).
- Cover glasses are tempered and 4 mm thick and smoke-coloured.
- Semi-glass covers are manufactured in white and red colours as standard or, optionally, in Ral codes.
- Cover handle, which is designed to be ergonomic and embedded, is made of stainless steel (CrNi).
- Warning letterings and markings are provided on the handle of the cover.
- The hidden hinge system, which allows opening the cover 180°, is made of stainless steel (CrNi).
- Specially designed magnetic lock system is provided on the cover.
- Covers can be packaged independently from the frame and internal material and installed at the final stage when the building is about to be put into operation without being damaged during the construction.



- Sheet metal covers are made of corrosion-resistant steel (DKP) coated with electrostatic powder paint or of stainless steel (CrNi).
- Sheet metal covers are manufactured in white and red colours as standard or, optionally, in Ral codes.
- Cover handle, which is designed to be ergonomic and embedded, is made of stainless steel (CrNi).
- Warning letterings and markings are provided on the handle of the cover.
- The hidden hinge system, which allows opening the cover 180°, is made of stainless steel (CrNi).
- Specially designed magnetic lock system is provided on the cover.
- Covers can be packaged independently from the frame and internal material and installed at the final stage when the building is about to be put into operation without being damaged during the construction.

# A



**ACCO**  
FIRE SOLUTIONS

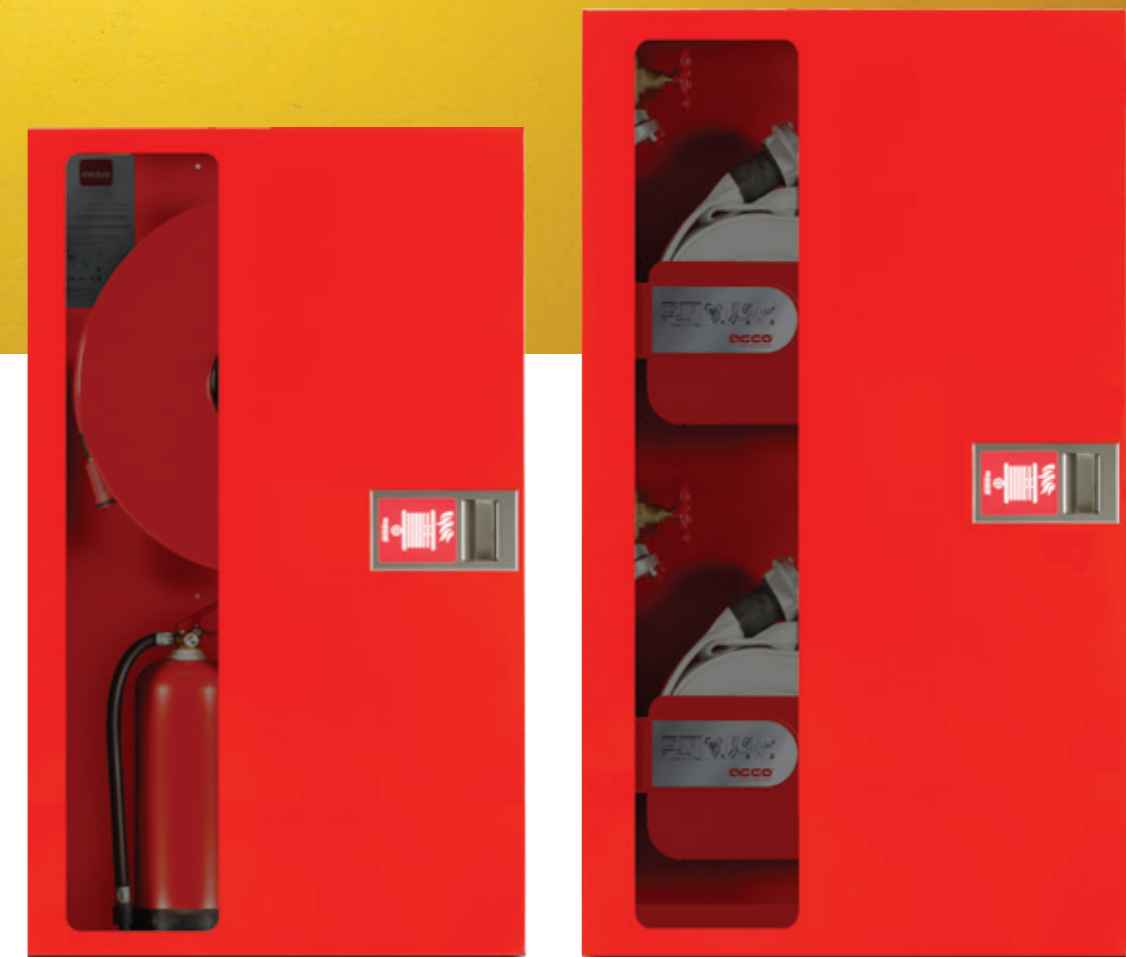
# ACCO COMPACT

COMPACT SERIES SEMI-RIGID  
AND FLAT FABRIC HOSE FIRE  
CABINETS

The COMPACT series fire cabinets, which are designed to be suitable for indoor use, have semi-rigid hose model for the structures with no personnel who are trained and have skills of rolling over and connecting hoses and flat fabric hose model for the structures with personnel who have such skills.

The cabinets are used in homes, shopping malls, hotels, hospitals, airports, factories, etc. where fire regulations make it obligatory to use a fire cabinet.

[www.accofire.com](http://www.accofire.com)



COMPACT

COMPACT WIDE



INDOOR USE



FLAT FABRIC  
HOSE



SEMI-RIGID  
HOSE



ÇALISMA  
BASINCI:  
MAX12 BAR



EASE OF  
INSTALLATION



SHIPMENT AS  
DISASSEMBLED



FIRE  
EXTINGUISHER

# ACCO COMPACT

SEMI-RIGID HOSE  
FIRE CABINETS



## INTERNAL MATERIAL WITH SEMI-RIGID HOSE

- ▣ All the water lines in the Reel system are resistant to corrosion and the system is designed to be supplied with water from the centre.
  - ▣ Reel has a capacity of 1" 30-m semi-rigid fire hose.
  - ▣ The operating pressure of the system is maximum 12 bar and its explosive pressure is minimum 30 bar.
  - ▣ 2" brass fire valve with storz fitting is used as the system inlet closing valve.
  - ▣ Reel and valve connections are made with storz type adapter and coupling.
  - ▣ Reel can oscillate 270° for the suitable use position.
  - ▣ 1" water spray nozzle is capable of jetting and spraying depending on the type of fire response.
  - ▣ The sheet metal of Reel drum is coated with electrostatic powder paint and designed in a way avoiding sharp edges by means of special press method.
- The inter-connections of all the parts of the Reel system are tested 100% and waterproofing is checked.

## SPECIFICATIONS OF FRAME

- ▣ Built-in or surface-mounted frame is made of corrosion-resistant steel (DKP) coated with electrostatic powder paint or of stainless steel (CrNi).
- ▣ Frames are manufactured in white, red and black colours as standard or, optionally, in Ral codes.
- ▣ Valve connection points are provided on the top, side and back of the frame which allow making installation connections and can be opened later.
- ▣ Frame design allows mounting the Reel or hose basket in the right or left direction depending on the direction of valve connection.
- ▣ Frame body is reinforced with additional parts and bends, which ensure flawless operation of the Reel and hose basket system.

# ACCO COMPACT

FLAT FABRIC HOSE  
FIRE CABINETS



## INTERNAL MATERIAL WITH FLAT FABRIC HOSE

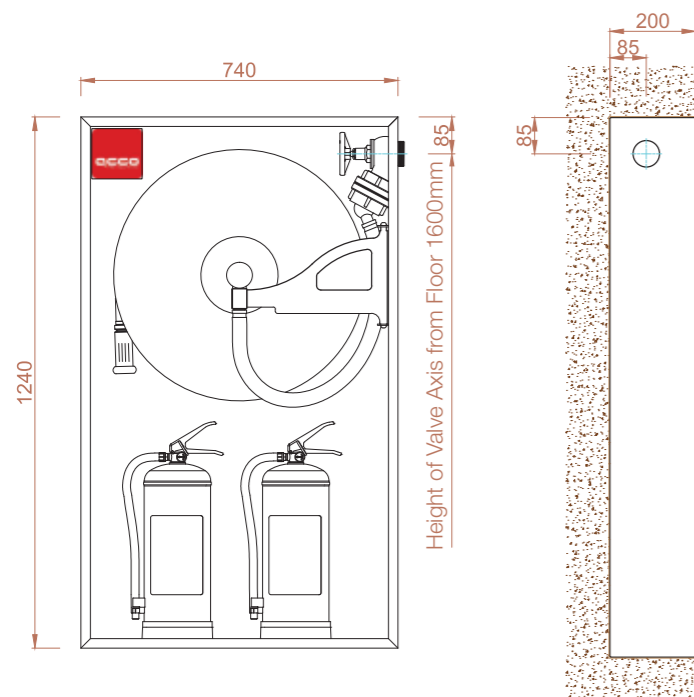
- ▣ Hose basket has a capacity of 2" 30 m or 2 1/2" flat fabric hose.
- ▣ The operating pressure of the system is maximum 12 bar and its explosive pressure is minimum 30 bar.
- ▣ 2" or 2 1/2" brass fire valve with storz fitting is used as the system inlet closing valve.
- ▣ Hose and valve connections are made with storz type adapter and coupling.
- ▣ Hose basket has an arm, which can be taken out of the cabinet completely, so that the hose can be taken out easily from the basket.
- ▣ 2" or 2 1/2" water spray nozzles are capable of jetting and spraying depending on the type of fire response.
- ▣ Hose baskets are coated with electrostatic powder paint and so that flat fabric hoses can be ventilated.
- ▣ The inter-connections of all the parts of the hose are tested 100% and waterproofing is checked.

- ▣ Poor appearance deriving from installation faults and plaster, mortar, etc. is avoided thanks to the removable embedded installation frame attached onto the built-in frames.
- ▣ The frame has installation, ventilation and water discharge holes, which ensure ease of installation and make the frame have a long life.
- ▣ Cabinet frame has a capacity of one semi-rigid hose Reel set or two flat fabric hose baskets.
- ▣ Fire cabinet has a capacity of one 6-kg fire extinguisher that can stand in an upright position with the options of a semi-rigid hose Reel set and two flat fabric hose baskets.
- ▣ Cabinet frame, cover and internal equipment are packaged in separate boxes and shipped separately depending on the site conditions or in line with the customer's request.



# ACCO COMPACT

SEMI-RIGID HOSE  
FIRE CABINETS



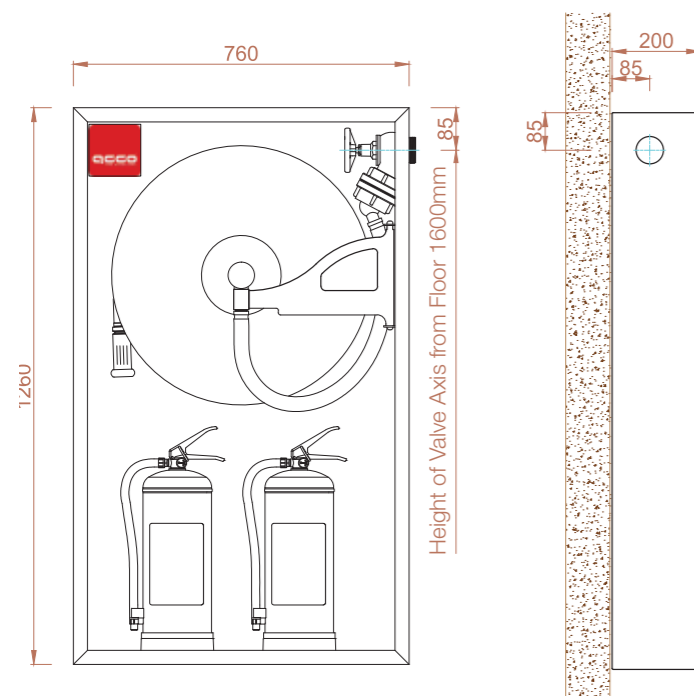
## BUILT-IN CABINETS

Model Code  
**CT.G.R120.x**  
BUILT-IN FIRE CABINET  
1"20 M SEMI-RIGID HOSE REEL SET + WITH A CAPACITY OF TWO 6-KG FIRE EXTINGUISHERS  
**Cover Options**  
x: K1,K2,K3  
WidthxLengthxDepth(mm)  
740 X 1240 X 200

Model Code  
**CT.G.R125.x**  
BUILT-IN FIRE CABINET  
1"25 M SEMI-RIGID HOSE REEL SET + WITH A CAPACITY OF TWO 6-KG FIRE EXTINGUISHERS  
**Cover Options**  
x: K1,K2,K3  
WidthxLengthxDepth(mm)  
740 X 1240 X 200

Model Code  
**CT.G.R130.x**  
BUILT-IN FIRE CABINET  
1"30 M SEMI-RIGID HOSE REEL SET + WITH A CAPACITY OF TWO 6-KG FIRE EXTINGUISHERS  
**Cover Options**  
x: K1,K2,K3  
WidthxLengthxDepth(mm)  
740 X 1240 X 200

## SURFACE MOUNT CABINETS



Model Code  
**CT.S.R120.x**  
SURFACE MOUNT FIRE CABINET  
1"20 M SEMI-RIGID HOSE REEL SET + WITH A CAPACITY OF TWO 6 KG FIRE EXTINGUISHERS  
**Cover Options**  
x: K1,K2,K3  
WidthxLengthxDepth(mm)  
760x1260x200

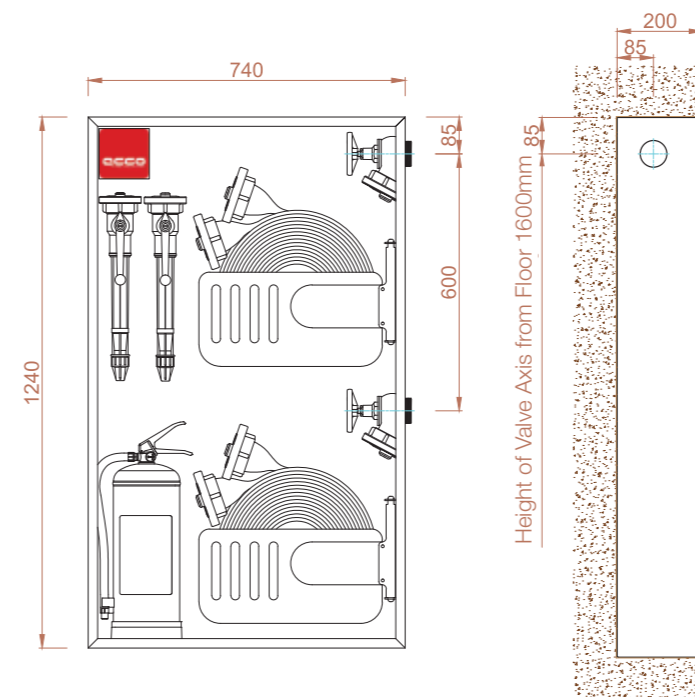
Model Code  
**CT.S.R125.x**  
SURFACE MOUNT FIRE CABINET  
1"25 M SEMI-RIGID HOSE REEL SET + WITH A CAPACITY OF TWO 6 KG FIRE EXTINGUISHERS  
**Cover Options**  
x: K1,K2,K3  
WidthxLengthxDepth(mm)  
760x1260x200

Model Code  
**CT.S.R130.x**  
SURFACE MOUNT FIRE CABINET  
1"30 M SEMI-RIGID HOSE REEL SET + WITH A CAPACITY OF TWO 6 KG FIRE EXTINGUISHERS  
**Cover Options**  
x: K1,K2,K3  
WidthxLengthxDepth(mm)  
760x1260x200

x: cover code. Select one of K1, K2, and K3 model fire covers.

# ACCO COMPACT

FLAT RIGID HOSE  
FIRE CABINETS



## BUILT-IN CABINETS

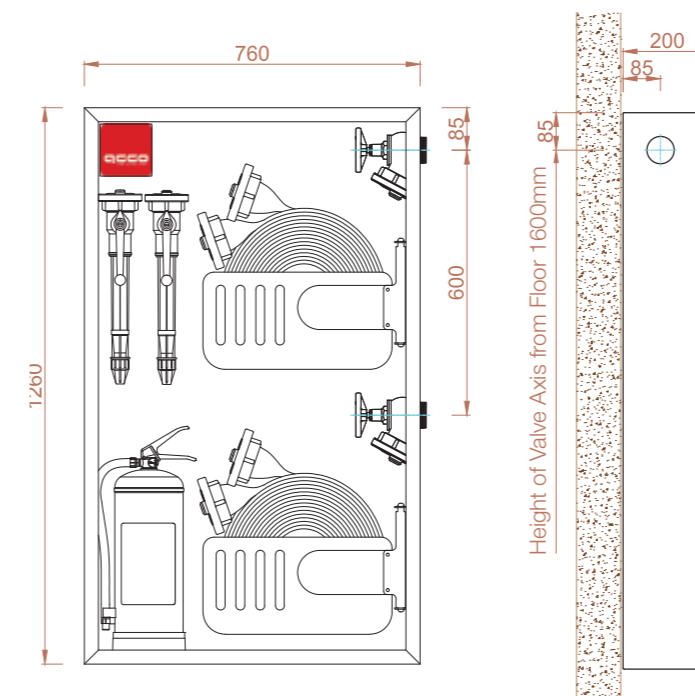
Model Code  
**CT.G.DR220.x**  
BUILT-IN FIRE CABINET  
2 Pieces 2"20 M FLAT FABRIC HOSE BASKET SET + WITH A CAPACITY OF ONE 6-KG FIRE EXTINGUISHER  
**Cover Options**  
x: K1,K2,K3  
WidthxLengthxDepth(mm)  
740 X 1240 X 200

Model Code  
**CT.G.DR230.x**  
BUILT-IN FIRE CABINET  
2 Pieces 2"30 M FLAT FABRIC HOSE BASKET SETS WITH A CAPACITY OF ONE 6-KG FIRE EXTINGUISHER  
**Cover Options**  
x: K1,K2,K3  
WidthxLengthxDepth(mm)  
740 X 1240 X 200

Model Code  
**CT.G.DR320.x**  
BUILT-IN FIRE CABINET  
2 Pieces 2 1/2"20 M FLAT FABRIC HOSE BASKET SET  
**Cover Options**  
x: K1,K2,K3  
WidthxLengthxDepth(mm)  
740 X 1240 X 200

Model Code  
**CT.G.DR330.x**  
BUILT-IN FIRE CABINET  
2 Pieces 2 1/2"30 M FLAT FABRIC HOSE SEPET SET  
**Cover Options**  
x: K1,K2,K3  
WidthxLengthxDepth(mm)  
740 X 1240 X 200

## SURFACE MOUNT CABINETS



Model Code  
**CT.S.DR220.x**  
SURFACE MOUNT FIRE CABINET  
2 Pieces 2"20 M FLAT FABRIC HOSE BASKET SET + WITH A CAPACITY OF ONE 6-KG FIRE EXTINGUISHER  
**Cover Options**  
x: K1,K2,K3  
WidthxLengthxDepth(mm)  
760x1260x200

Model Code  
**CT.S.DR230.x**  
SURFACE MOUNT FIRE CABINET  
2 Pieces 2"30 M FLAT FABRIC HOSE BASKET SET + WITH A CAPACITY OF ONE 6-KG FIRE EXTINGUISHER  
**Cover Options**  
x: K1,K2,K3  
WidthxLengthxDepth(mm)  
760x1260x200

Model Code  
**CT.S.DR320.x**  
SURFACE MOUNT FIRE CABINET  
2 Pieces 2 1/2"20 M FLAT FABRIC HOSE BASKET SET + WITH A CAPACITY OF ONE 6-KG FIRE EXTINGUISHER  
**Cover Options**  
x: K1,K2,K3  
WidthxLengthxDepth(mm)  
760x1260x200

Model Code  
**CT.S.DR330.x**  
SURFACE MOUNT FIRE CABINET  
2 Pieces 2 1/2"30 M FLAT FABRIC HOSE BASKET SET + WITH A CAPACITY OF ONE 6-KG FIRE EXTINGUISHER  
**Cover Options**  
x: K1,K2,K3  
WidthxLengthxDepth(mm)  
760x1260x200

x: cover code. Select one of K1, K2, and K3 model fire covers.

**Note:** Valve axes and cabinet interior layout vary with the options of 2 1/2" 20 m and 2 1/2" 30 m internal material. Please consult your customer associate.



# ACCO COMPACT WIDE

FLAT FABRIC HOSE  
FIRE CABINETS



## INTERNAL MATERIAL WITH FLAT FABRIC HOSE

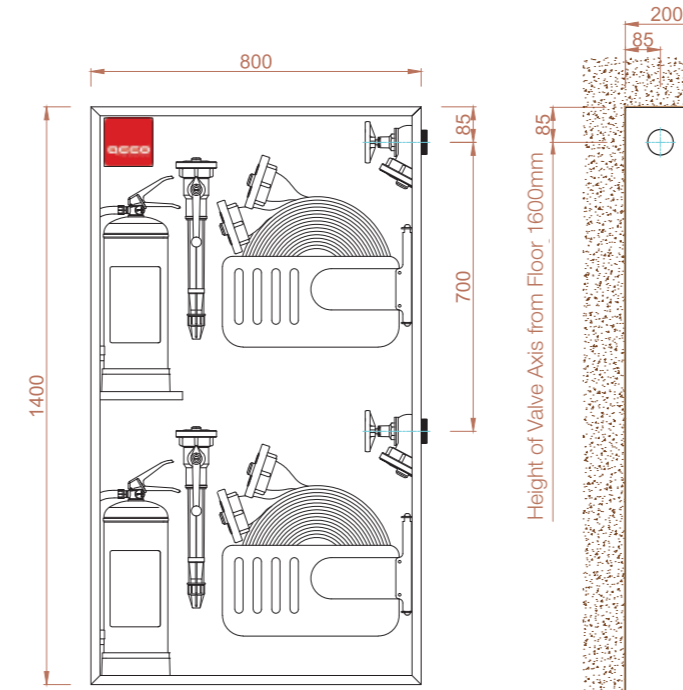
- Hose basket has a capacity of 2" 30 m or 2 1/2" flat fabric hose.
- The operating pressure of the system is maximum 12 bar and its explosive pressure is minimum 30 bar.
- 2" or 2 1/2" brass fire valve with storz fitting is used as the system inlet closing valve.
- Hose and valve connections are made with storz type adapter and coupling.
- Hose basket has an arm, which can be taken out of the cabinet completely, so that the hose can be taken out easily from the basket.
- 2" or 2 1/2" water spray nozzles are capable of jetting and spraying depending on the type of fire response.
- Hose baskets are coated with electrostatic powder paint and so that flat fabric hoses can be ventilated.
- The inter-connections of all the parts of the hose are tested 100% and waterproofing is checked.

## SPECIFICATIONS OF FRAME

- Built-in or surface-mounted frame is made of corrosion-resistant steel (DKP) coated with electrostatic powder paint or of stainless steel (CrNi).
- Frames are manufactured in white, red and black colours as standard or, optionally, in Ral codes.
- Valve connection points are provided on the top, side and back of the frame which allow making installation connections and can be opened later.
- Frame design allows mounting the reel or hose basket in the right or left direction depending on the direction of valve connection.
- Frame body is reinforced with additional parts and bends, which ensure flawless operation of the reel and hose basket system.
- Poor appearance deriving from installation faults and plaster, mortar, etc. is avoided thanks to the removable embedded installation frame attached onto the built-in frames.
- The frame has installation, ventilation and water discharge holes, which ensure ease of installation and make the frame have a long life.
- Cabinet frame has a capacity of two flat fabric hose baskets.
- Cabinet frame has a capacity of two 6-kg fire extinguishers which can stand in an upright position.
- Cabinet frame, cover and internal equipment are packaged in separate boxes and shipped separately depending on the site conditions or in line with the customer's request.

# ACCO COMPACT WIDE

FLAT FABRIC HOSE  
FIRE CABINETS



## BUILT-IN CABINETS

Model Code

### CW.G.DR220.x

BUILT-IN FIRE CABINET

2 Pieces  
2"  
20  
Meters

2 Pieces 2"20 M FLAT FABRIC HOSE BASKET SET + TWO 6-KG FIRE EXTINGUISHERS

**Cover Options**  
x: K1,K2,K3

WidthxLengthxDepth(mm)  
800x1400x200

Model Code

### CW.G.DR230.x

BUILT-IN FIRE CABINET

2 Pieces  
2"  
30  
Meters

2 Pieces 2"30 M FLAT FABRIC HOSE BASKET SETS + TWO 6-KG FIRE EXTINGUISHERS

**Cover Options**  
x: K1,K2,K3

WidthxLengthxDepth(mm)  
800x1400x200

Model Code

### CW.G.DR320.x

BUILT-IN FIRE CABINET

2 Pieces  
2 1/2"  
20  
Meters

2 Pieces 2 1/2"20 M FLAT FABRIC HOSE BASKET SETS + TWO 6-KG FIRE EXTINGUISHERS

**Cover Options**  
x: K1,K2,K3

WidthxLengthxDepth(mm)  
800x1400x200

Model Code

### CW.G.DR330.x

BUILT-IN FIRE CABINET

2 Pieces  
2 1/2"  
30  
Meters

2 Pieces 2 1/2"30 M FLAT FABRIC HOSE BASKET SETS+ 2TWO 6-KG FIRE EXTINGUISHERS

**Cover Options**  
x: K1,K2,K3

WidthxLengthxDepth(mm)  
800x1400x200

## SURFACE MOUNT CABINETS

Model Code

### CW.S.DR220.x

SURFACE MOUNT FIRE CABINET

2 Pieces  
2"  
20  
Meters

2 Pieces 2" 20 M FLAT FABRIC HOSE BASKET SET + 2TWO 6-KG FIRE EXTINGUISHERS

**Cover Options**  
x: K1,K2,K3

WidthxLengthxDepth(mm)  
820x1420x200

Model Code

### CW.S.DR230.x

SURFACE MOUNT FIRE CABINET

2 Pieces  
2"  
30  
Meters

2 Pieces 2"30 M FLAT FABRIC HOSE BASKET SET + 2TWO 6-KG FIRE EXTINGUISHERS

**Cover Options**  
x: K1,K2,K3

WidthxLengthxDepth(mm)  
820x1420x200

Model Code

### CW.S.DR320.x

SURFACE MOUNT FIRE CABINET

2 Pieces  
2 1/2"  
20  
Meters

2 Pieces 2 1/2"20 M FLAT FABRIC HOSE BASKET SET + TWO 6-KG FIRE EXTINGUISHERS

**Cover Options**  
x: K1,K2,K3

WidthxLengthxDepth(mm)  
820x1420x200

Model Code

### CW.S.DR330.x

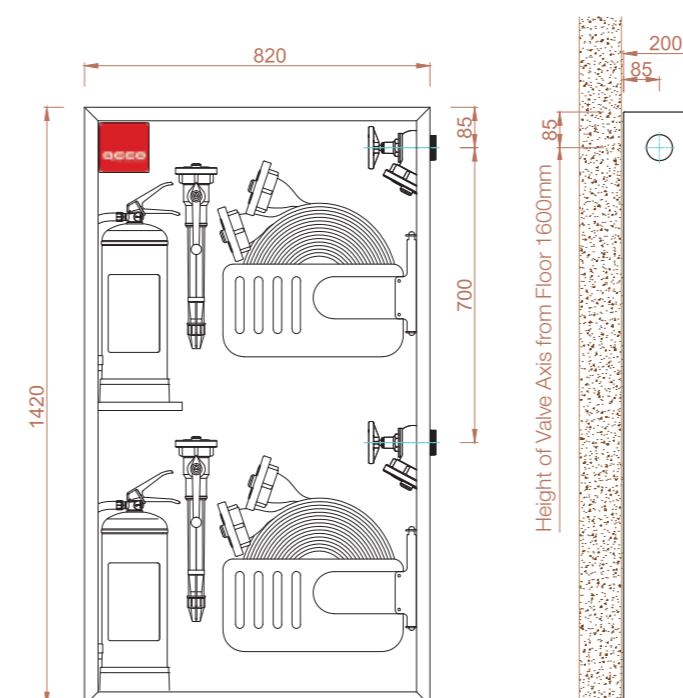
SURFACE MOUNT FIRE CABINET

2 Pieces  
2 1/2"  
30  
Meters

2 Pieces 2 1/2"30 M FLAT FABRIC HOSE BASKET SET + TWO 6-KG FIRE EXTINGUISHERS

**Cover Options**  
x: K1,K2,K3

WidthxLengthxDepth(mm)  
820x1420x200



**Note:** Valve axes and cabinet interior layout vary with the options of 2 1/2" 20 m and 2 1/2" 30 m internal material. Please consult your customer associate. x: cover code. Select one of K1, K2, and K3 model fire covers.



# ACCO COMPACT

## K1

SMART GLASS COVER  
Model Code: K1  
Colour Options: White, Black, Red



# ACCO COMPACT

## K2

SEMI-GLASS COVER  
Model Code: K2  
Colour Options: Red, White, Stain Stainless Steel



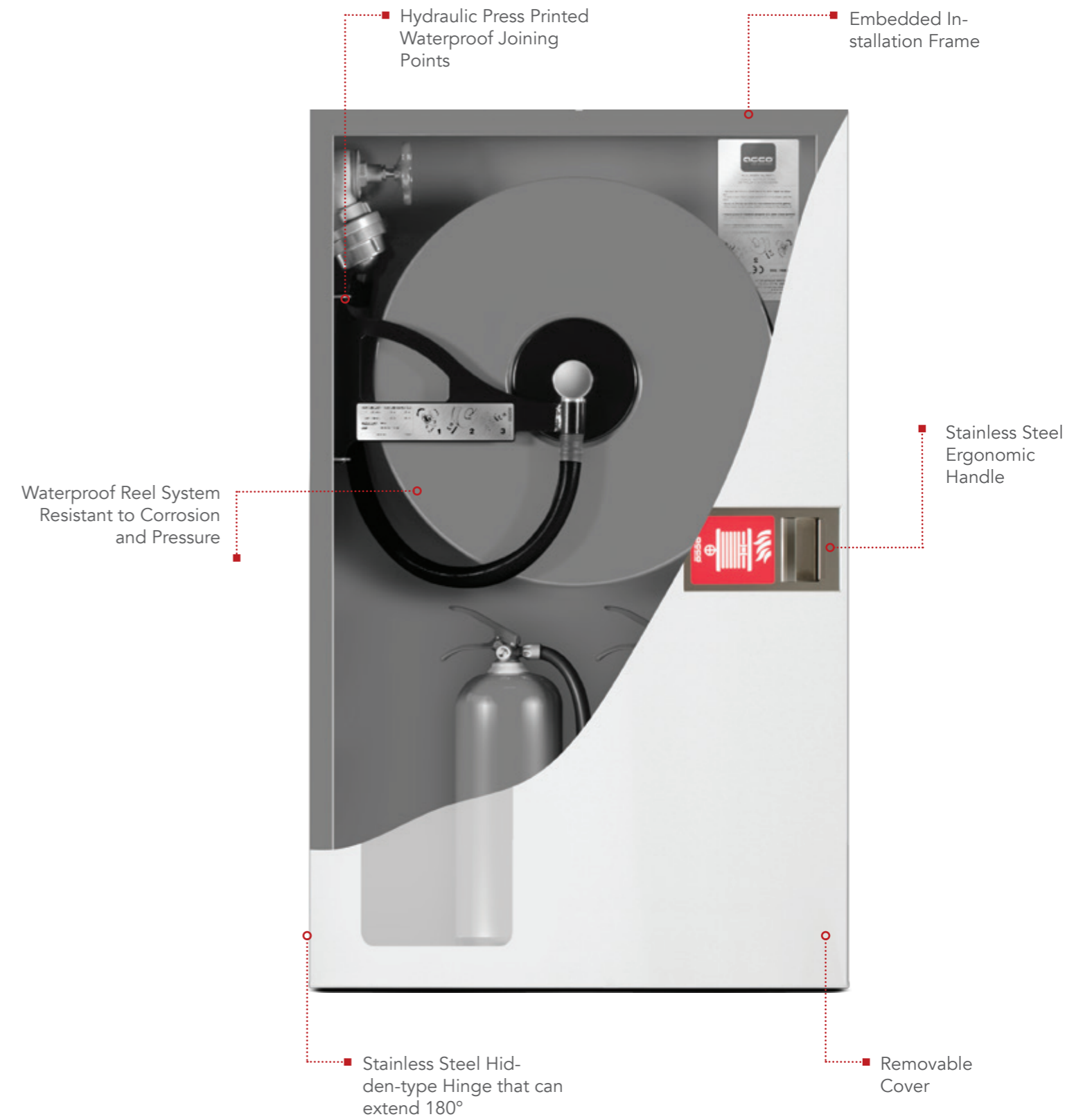
- Smart glass covers have a design adapted to architectural details and plain and stylish thanks to their monoblock glass appearance.
- Glass cover frames are made of steel (DKP) agreeing with the colour of glass and coated with corrosion-resistant electrostatic powder paint.
- Cover glasses are manufactured as tempered 4-mm thick glass and in black, white and red colours as standard or, optionally, in RAL codes.
- Cover handle, which is designed to be ergonomic and embedded, is made of stainless steel (CrNi).
- Warning letterings and markings are provided on the glass surface.
- The hidden hinge system, which allows opening the cover 180°, is made of stainless steel (CrNi).
- Specially designed magnetic lock system is provided on the cover.
- Covers can be packaged independently from the frame and internal material and installed at the final stage when the building is about to be put into operation without being damaged during the construction. the building is about to be put into operation without being damaged during the construction.

- The body of side glass covers is made of corrosion-resistant steel (DKP) coated with electrostatic powder paint or of stainless steel (CrNi).
- Cover glasses are tempered and 4 mm thick and smoke-coloured.
- Semi-glass covers are manufactured in white and red colours as standard or, optionally, in Ral codes.
- Cover handle, which is designed to be ergonomic and embedded, is made of stainless steel (CrNi).
- Warning letterings and markings are provided on the handle of the cover.
- The hidden hinge system, which allows opening the cover 180°, is made of stainless steel (CrNi).
- Specially designed magnetic lock system is provided on the cover.
- Covers can be packaged independently from the frame and internal material and installed at the final stage when the building is about to be put into operation without being damaged during the construction.

# ACCO COMPACT

## K3

SHEET METAL COVER  
Model Code: K3  
Colour Options: Red, White, Stain Stainless Steel



- ▣ Sheet metal covers are made of corrosion-resistant steel (DKP) coated with electrostatic powder paint or of stainless steel (CrNi).
- ▣ Sheet metal covers are manufactured in white and red colours as standard or, optionally, in Ral codes.
- ▣ Cover handle, which is designed to be ergonomic and embedded, is made of stainless steel (CrNi).
- ▣ Warning letterings and markings are provided on the handle of the cover.
- ▣ The hidden hinge system, which allows opening the cover 180°, is made of stainless steel (CrNi).
- ▣ Specially designed magnetic lock system is provided on the cover.
- ▣ Covers can be packaged independently from the frame and internal material and installed at the final stage when the building is about to be put into operation without being damaged during the construction.








# ACCO SLIMLINE

SLIMLINE MODEL  
SEMI-RIGID HOSE  
FIRE CABINETS

The SLIMLINE series fire cabinets, which are suitable for indoor use, are designed to be able to ensure fire safety in a highly confined space by making use of showcases and the areas of use to maximum extent in structures like shopping malls, closed depot areas, exhibition areas, etc.



-  INDOOR USE
-  SEMI-RIGID HOSE
-  OPERATING PRESSURE: MAX12 BAR
-  EASE OF INSTALLATION
-  FIRE EXTINGUISHER

# ACCO SLIMLINE

SEMI-RIGID HOSE  
FIRE CABINETS



## INTERNAL MATERIAL WITH SEMI-RIGID HOSE

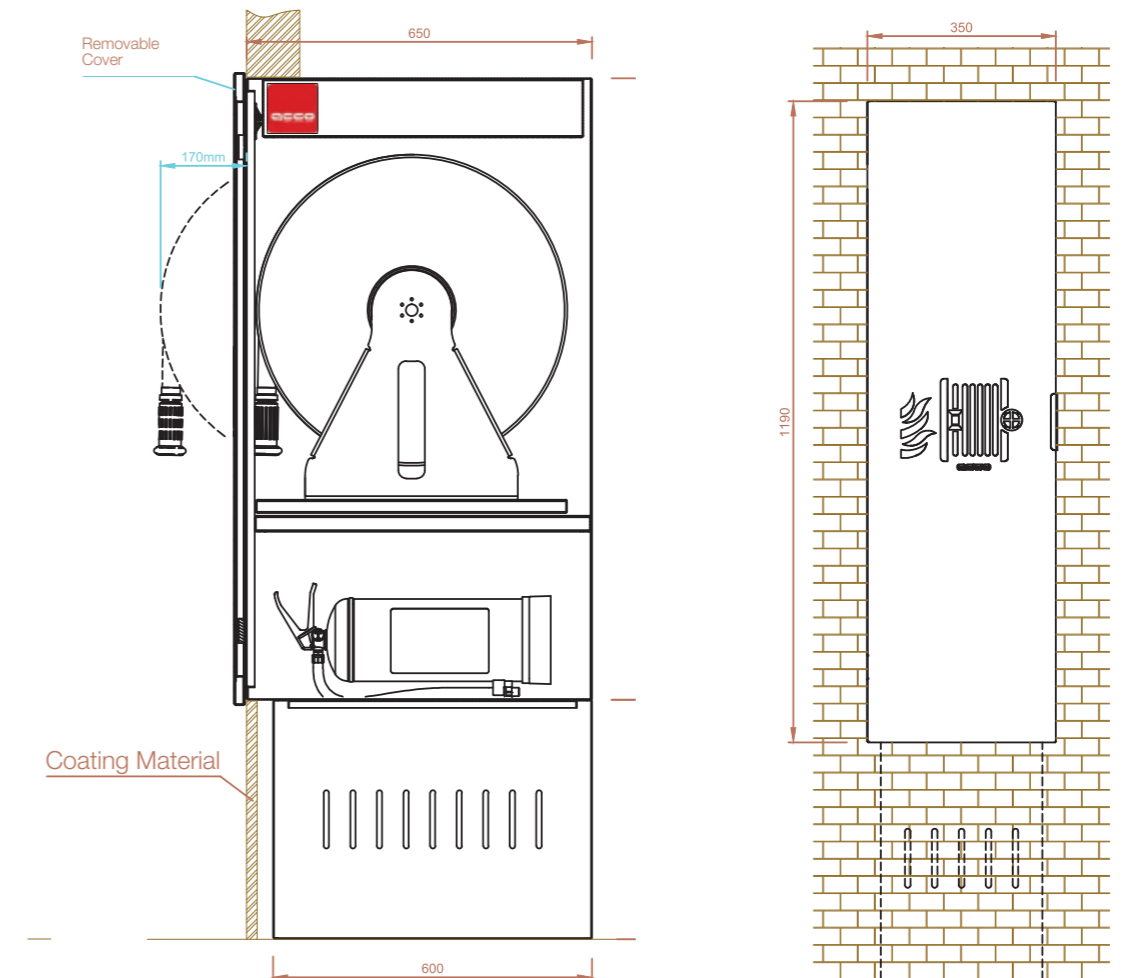
- All the water lines in the reel system are resistant to corrosion and the system is designed to be supplied with water from the centre.
- Reel has a capacity of 1" - 30m semi-rigid fire hose.
- The operating pressure of the system is maximum 12 bar and its explosive pressure is minimum 30 bar.
- 1" brass valve is used as the system inlet closing valve.
- The reel can be taken out of the cabinet for the appropriate position of use thanks to its rail mechanism.
- 1" water spray nozzle is capable of jetting and spraying depending on the type of fire response.
- The sheet metal of reel drum is coated with electrostatic powder paint and designed in a way avoiding sharp edges by means of special press method.
- The inter-connections of all the parts of the reel system are tested 100% and waterproofing is checked.

## SPECIFICATIONS OF FRAME

- Built-in frame is made of corrosion-resistant steel (DKP) coated with electrostatic powder paint or of stainless steel (CrNi).
- Frames are manufactured in white, red and black colours as standard or, optionally, in Ral codes.
- Internal equipment can work vertically to wall plane thanks to the rail reel and extinguisher system.
- Cabinet frame is reinforced with additional parts and bends, which ensure flawless operation of the reel system.
- Poor appearance deriving from installation faults and plaster, mortar, etc. is avoided thanks to the removable embedded installation frame attached onto the built-in cabinet body.
- Cabinet body has installation, ventilation and water discharge holes, which ensure ease of installation and make the frame have a long life.
- The cabinet contains one semi-rigid hose reel set and one 6-kg fire extinguisher that can be placed in a horizontal position.
- The base is fitted with vents for ventilation and connection holes for easy mounting onto the floor.

# ACCO SLIMLINE

SEMI-RIGID HOSE  
FIRE CABINETS



Model Code

**SL.G.R120.x**  
BUILT-IN FIRE CABINET

1"20 M SEMI-RIGID HOSE REEL SET  
WITH A CAPACITY OF ONE 6-KG FIRE EXTINGUISHER

**Cover Options**  
x: K1, K3

1"  
20  
Meters

Model Code

**SL.G.R130.x**  
BUILT-IN FIRE CABINET

1"30 M SEMI-RIGID HOSE REEL SET  
WITH A CAPACITY OF ONE 6-KG FIRE EXTINGUISHER

**Cover Options**  
x: K1, K3

1"  
30  
Meters

Model Code

**SL.G.R125.x**  
BUILT-IN FIRE CABINET

1"25 M SEMI-RIGID HOSE REEL SET  
WITH A CAPACITY OF ONE 6-KG FIRE EXTINGUISHER

**Cover Options**  
x: K1, K3

1"  
25  
Meters

x: cover code. Select one of K1 and K3 model fire covers.

# ACCO CURVE

CURVE SERIES  
SEMI-RIGID HOSE  
LEGGED FIRE  
CABINET

The CURVE series fire cabinets, which are suitable for indoor use, are designed for the structures with no wall mount possibility thanks to their ease of installation and installation from floor features. Especially they appear to be an architectural detail with their stylish appearance in structures such as shopping malls, airports, train stations, etc.



-  INDOOR USE
-  SEMI-RIGID HOSE
-  ÇALIŞMA BASINCI: MAX12 BAR
-  EASE OF INSTALLATION
-  SHIPMENT AS DISASSEMBLED
-  FIRE EXTINGUISHER

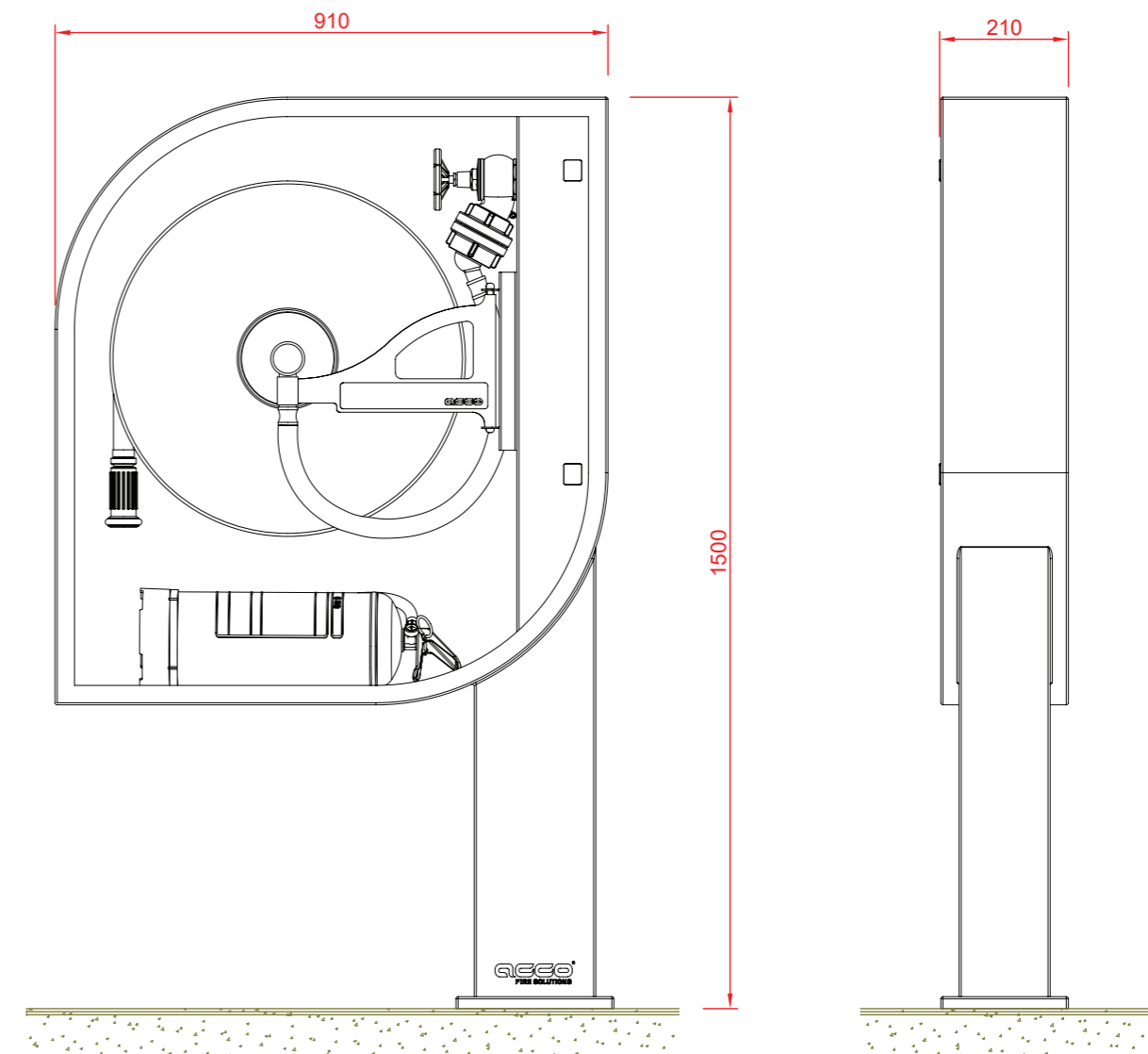


### GENERAL SPECIFICATIONS

- Cabinet body and leg are made of stainless steel (CrNi) or of steel (DKP) coated with corrosion-resistant electrostatic powder paint.
- Cabinet body and leg are made of stain stainless steel as standard or, optionally, as painted with electrostatic powder paint in Ral codes.
- The body contains an installation connection cover, which allows connecting the valve to the installation easily.
- The body is designed as a double-cover one so that the reel can be used from both directions.
- Frame is reinforced with additional parts and bends, which ensure flawless operation of the reel system.
- It has a capacity of one semi-rigid hose reel set.
- Reel has a capacity of one 6-kg fire extinguisher which can be placed horizontally at bottom.

### INTERNAL MATERIAL WITH SEMI-RIGID HOSE

- All the water lines in the reel system are resistant to corrosion and the system is designed to be supplied with water from the centre.
- Reel has a capacity of 1" - 30m semi-rigid fire hose.
- The operating pressure of the system is maximum 12 bar and its explosive pressure is minimum 30 bar.
- 2" brass fire valve with storz fitting is used as the system inlet closing valve.
- Reel and valve connections are made with storz type adapter and coupling.
- Reel can oscillate so that it can be used from both directions of the cabinet.
- 1" water spray nozzle is capable of jetting and spraying depending on the type of fire response.
- The sheet metal of reel drum is coated with electrostatic powder paint and designed in a way avoiding sharp edges by means of special press method.
- The inter-connections of all the parts of the reel system are tested 100% and waterproofing is checked.



Model Code

**CV.A.R120.K3**

AYAKLI

1"20 M SEMI-RIGID HOSE REEL SET + ONE 6-KG FIRE EXTINGUISHERS

1"  
20  
Meters

WidthxLengthxDepth(mm)  
1500 X 910 X 210

Model Code

**CV.A.R130.K3**

AYAKLI

1"30 M SEMI-RIGID HOSE REEL SET + WITH A CAPACITY OF ONE 6-KG FIRE EXTINGUISHER

1"  
30  
Meters

WidthxLengthxDepth(mm)  
1500 X 910 X 210

Model Code

**CV.A.R125.K3**

AYAKLI

1"25 M SEMI-RIGID HOSE REEL SET + WITH A CAPACITY OF ONE 6-KG FIRE EXTINGUISHER

1"  
25  
Meters







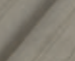
WidthxLengthxDepth(mm)  
1500 X 910 X 210

# ACCO CURVE-S

## CURVE-S SERIES SEMI-RIGID HOSE BASED FIRE CABINETS

The CURVE-S series fire cabinets, which are suitable for indoor use and outdoor use in areas with no frost risk, are designed for the structures with no wall mount possibility thanks to their ease of installation and installation from floor features. Especially they appear to be an architectural detail with their stylish appearance in structures such as marinas, shopping malls, airports, train stations, etc.



-  INDOOR USE
-  BİNA DIŞI KULLANIM
-  SEMI-RIGID HOSE
-  ÇALIŞMA BASINCI: MAX12 BAR
-  EASE OF INSTALLATION
-  SHIPMENT AS DISASSEMBLED
-  FIRE EXTINGUISHER

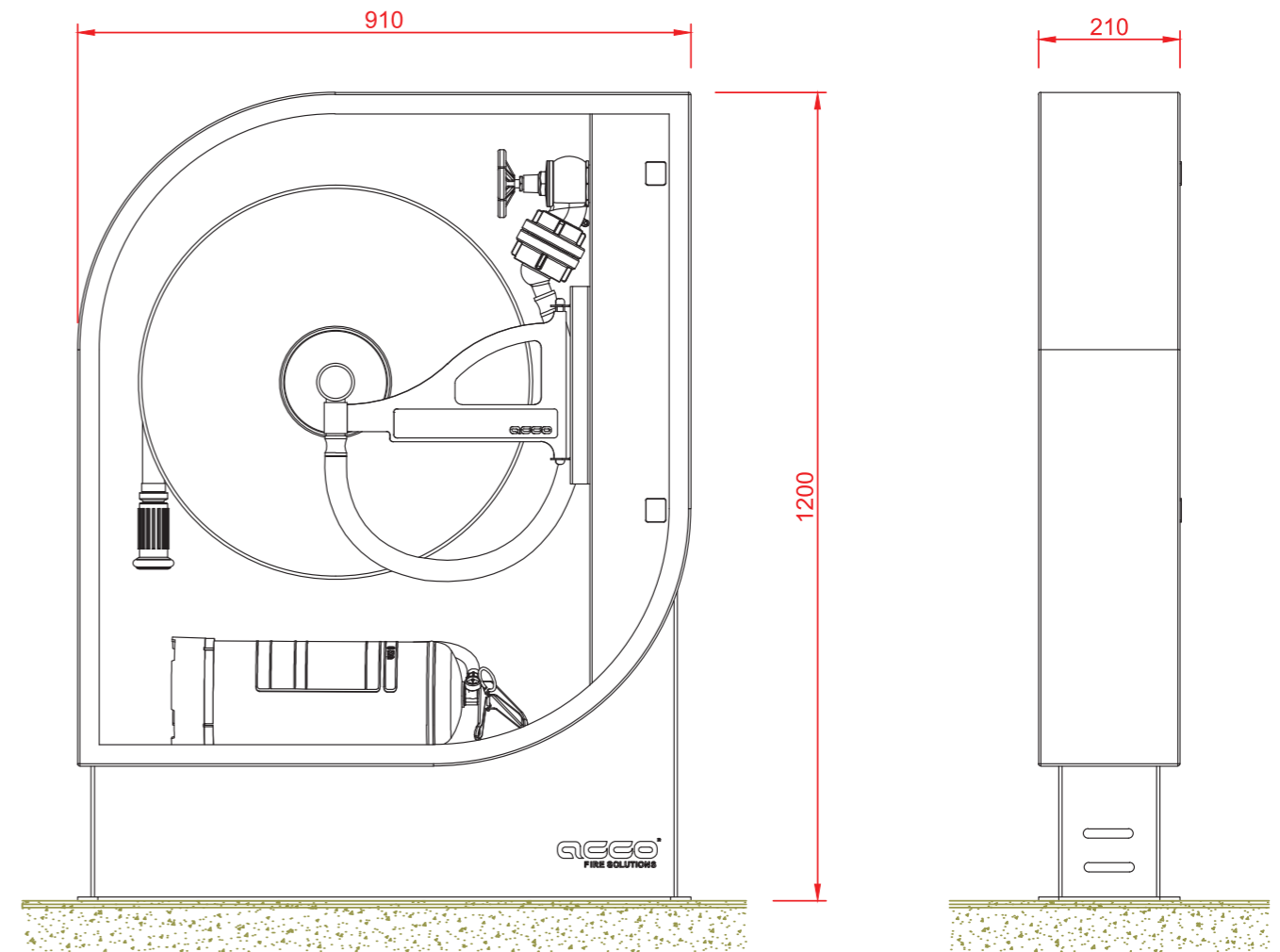


### GENERAL SPECIFICATIONS

- Cabinet body and base are made of stainless steel (CrNi) or of steel (DKP) coated with corrosion-resistant electrostatic powder paint.
- Cabinet body and base are made of stain stainless steel as standard or, optionally, as painted with electrostatic powder paint in Ral codes.
- The body contains an installation connection cover, which allows connecting the valve to the installation easily.
- The body is designed as a double-cover one so that the reel can be used from both directions.
- Frame is reinforced with additional parts and bends, which ensure flawless operation of the reel system.
- It has a capacity of one semi-rigid hose reel set.
- Cabinet has a capacity of one 6-kg fire extinguisher which can be placed horizontally at bottom.

### INTERNAL MATERIAL WITH SEMI-RIGID HOSE

- All the water lines in the reel system are resistant to corrosion and the system is designed to be supplied with water from the centre.
- Reel has a capacity of 1" - 30m semi-rigid fire hose.
- The operating pressure of the system is maximum 12 bar and its explosive pressure is minimum 30 bar.
- 2" brass fire valve with storz fitting is used as the system inlet closing valve.
- Reel and valve connections are made with storz type adapter and coupling.
- Reel can oscillate so that it can be used from both directions of the cabinet.
- 1" water spray nozzle is capable of jetting and spraying depending on the type of fire response.
- The sheet metal of reel drum is coated with electrostatic powder paint and designed in a way avoiding sharp edges by means of special press method.
- The inter-connections of all the parts of the reel system are tested 100% and waterproofing is checked.



Model Code

**CVS.B.R120.K3**

BAZALI

1"20 M SEMI-RIGID HOSE REEL SET +  
ONE 6-KG FIRE EXTINGUISHERS

1"  
20  
Meters

WidthxLengthxDepth(mm)  
1200 X 910 X 210

Model Code

**CVS.B.R130.K3**

BAZALI

1"30 M SEMI-RIGID HOSE REEL SET  
+ WITH A CAPACITY OF ONE 6-KG  
FIRE EXTINGUISHER

1"  
30  
Meters

WidthxLengthxDepth(mm)  
1200 X 910 X 210

Model Code

**CVS.B.R125.K3**

BAZALI

1"25 M SEMI-RIGID HOSE REEL SET  
+ WITH A CAPACITY OF ONE 6-KG  
FIRE EXTINGUISHER

1"  
25  
Meters

WidthxLengthxDepth(mm)  
1200 X 910 X 210



# ACCO OUTDOOR

OUTDOOR-S AND  
OUTDOOR-L SERIES  
OUTDOOR HYDRANT  
CABINETS

The OUTDOOR series hydrant cabinets, which are designed to be suitable for outdoor use, contain the necessary materials for the use of the hydrant and compatible water source when responding to a fire from outdoor.

The cabinets are used in homes, shopping malls, hotels, hospitals, airports, factories, etc. where fire regulations make it obligatory to use a hydrant.



OUTDOOR-S



OUTDOOR-L



OUTDOOR  
USE



FLAT FABRIC  
HOSE



OPERATING  
PRESSURE:  
MAX12 BAR



EASE OF  
INSTALLATION

# ACCO OUTDOOR-S

OUTDOOR HYDRANT  
CABINETS WITH FLAT  
FABRIC HOSE



## INTERNAL MATERIAL WITH FLAT FABRIC HOSE

- Hose basket has a capacity of 2" 30 m or 2 ½ flat fabric hose.
- The operating pressure of the system is maximum 12 bar and its explosive pressure is minimum 30 bar.
- Connection to water sources such as hydrant, etc. is made via storz-type coupling.
- Hose basket has an arm, which can be taken out of the cabinet completely, so that the hose can be taken out easily from the basket.
- 2" or 2 ½" water spray nozzles are capable of jetting and spraying depending on the type of fire response.
- Hose baskets are coated with electrostatic powder paint and so that flat fabric hoses can be ventilated.
- The inter-connections of all the parts of the hose are tested 100% and waterproofing is checked.

## COVER

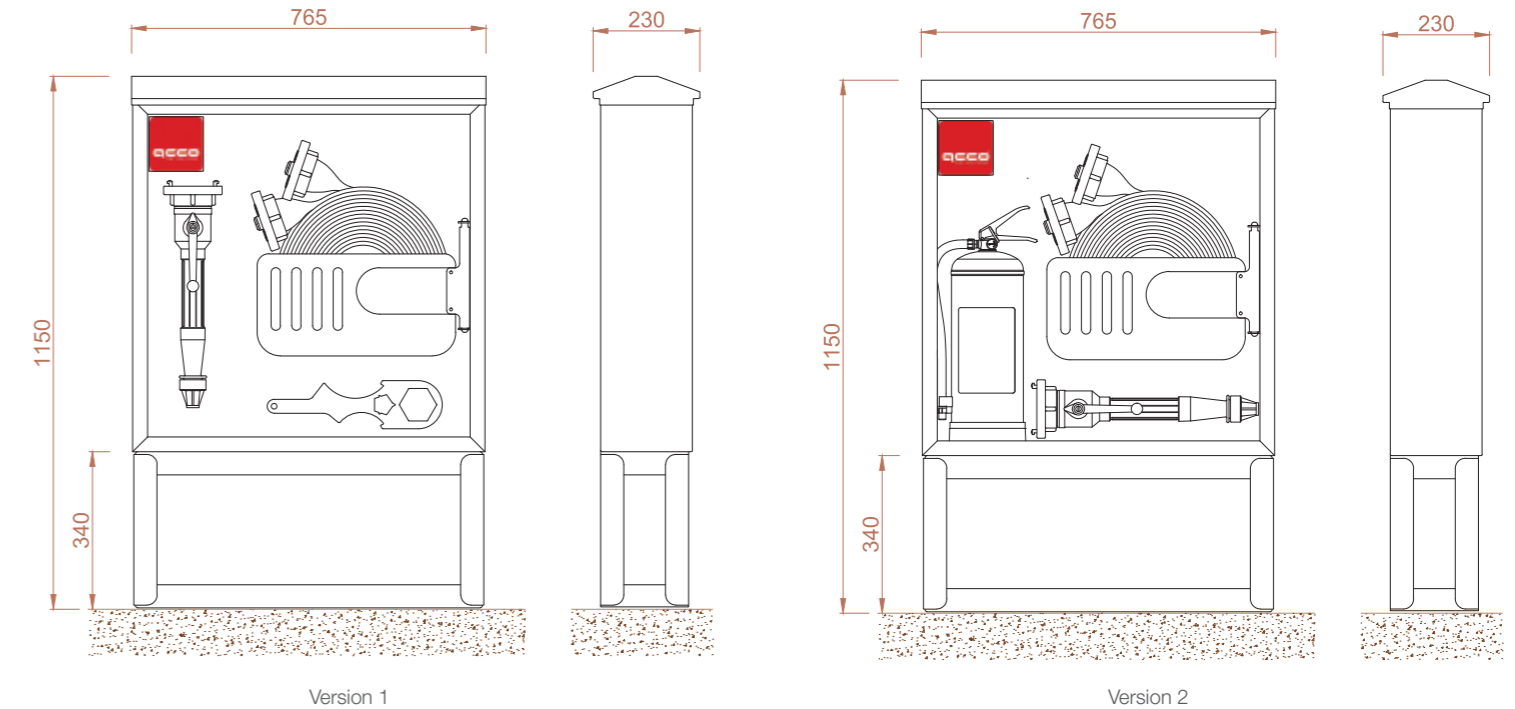
- Sheet metal covers are made of corrosion-resistant steel (DKP) coated with electrostatic powder paint, of stainless steel (CrNi) galvanised sheet material.
- Sheet metal covers are manufactured in red colour as standard or, optionally, in Ral codes.
- Cover handle, which is designed to be ergonomic and embedded, is made of stainless material.
- Warning letterings and markings are provided on the surface of the cover.
- The hinge system, which allows opening the cover 180°, is made of stainless steel (CrNi).

## FRAMES - ROOFS and LEGS

- Outdoor hydrant cabinets are designed so that a roof is provided over the frame and a raised base above the ground at the bottom for protection from external environmental impacts.
- Frame, roof and legs are made of corrosion-resistant steel (DKP) coated with electrostatic powder paint, stainless steel (CrNi) or galvanised sheet metal.
- Frames are manufactured in red colour as standard or, optionally, in Ral codes.
- Frame design allows mounting the hose basket in the right and left directions.
- Frame body is reinforced with additional parts and bends, which ensure flawless operation of the hose basket system.
- The frame has installation, ventilation and water discharge holes, which ensure ease of installation and make the frame have a long life.
- Cabinet frame has a capacity of one flat fabric hose basket.
- Cabinet frame has a capacity of one 6-kg fire extinguisher which can stand in an upright position. (Options with 2 ½" flat fabric hose as the internal material do not have room for extinguisher.)
- Optionally, equipment such as fire axe, flashlight, hydrant switch, etc. can be requested according to the requirements of area of use.
- Cabinet body and internal equipment are packaged in separate boxes and shipped separately depending on the site conditions or in line with the customer's request.

# ACCO OUTDOOR-S

FLAT FABRIC HOSE  
BINA DIŐI HİDRANT  
DOLAPLARI



Model Code

**OS.D.B220.K1**

OUTSIDE

1 Pieces 2"20 M YASSI HORTUMLU SEPET  
+1 Pieces 2" LANS  
+ WITH A CAPACITY OF  
ONE 6-KG FIRE EXTINGUISHER

**Cover Options**

K1 SHEET METAL COVER

2"  
20  
Meters

WidthxLengthxDepth(mm)  
765x1150x230

Model Code

**OS.D.B230.K1**

OUTSIDE

1 Pieces 2"30 M YASSI HORTUMLU SEPET  
+1 Pieces 2" LANS  
+ WITH A CAPACITY  
OF ONE 6-KG FIRE EXTINGUISHER

**Cover Options**

K1 SHEET METAL COVER

2"  
30  
Meters

WidthxLengthxDepth(mm)  
765x1150x230

Model Code

**OS.D.B320.K1**

OUTSIDE

1 Pieces 2½"20 M YASSI HORTUMLU SEPET  
+ 1 Pieces 2½" LANS

**Cover Options**

K1 SHEET METAL COVER

2½"  
20  
Meters

WidthxLengthxDepth(mm)  
765x1150x230

Model Code

**OS.D.B330.K1**

OUTSIDE

1 Pieces 2½"30 M YASSI HORTUMLU SEPET  
+ 1 Pieces 2½" LANS

**Cover Options**

K1 SHEET METAL COVER

2½"  
30  
Meters

WidthxLengthxDepth(mm)  
765x1150x230

x: cover code. Select one of K1, K2, and K3 model fire covers.

# ACCO OUTDOOR-L

FLAT FABRIC HOSE  
BİNA DIŐI HİDRANT  
DOLAPLARI



## INTERNAL MATERIAL WITH FLAT FABRIC HOSE

- Hose basket has a capacity of 2" 30 m or 2 1/2" flat fabric hose.
- The operating pressure of the system is maximum 12 bar and its explosive pressure is minimum 30 bar.
- Connection to water sources such as hydrant, etc. is made via storz-type coupling.
- Hose basket has an arm, which can be taken out of the cabinet completely, so that the hose can be taken out easily from the basket.
- 2" or 2 1/2" water spray nozzles are capable of jetting and spraying depending on the type of fire response.
- Hose baskets are coated with electrostatic powder paint and so that flat fabric hoses can be ventilated.
- The inter-connections of all the parts of the hose are tested 100% and waterproofing is checked.

## COVER

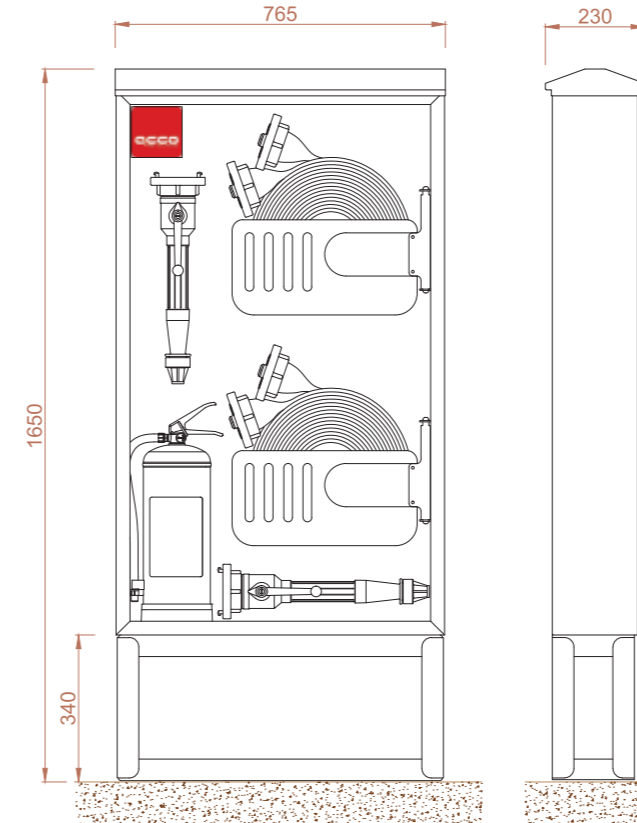
- Sheet metal covers are made of corrosion-resistant steel (DKP) coated with electrostatic powder paint, of stainless steel (CrNi) galvanised sheet material.
- Sheet metal covers are manufactured in red colour as standard or, optionally, in Ral codes.
- Cover handle, which is designed to be ergonomic and embedded, is made of stainless material.
- Warning letterings and markings are provided on the surface of the cover.
- The hinge system, which allows opening the cover 180°, is made of stainless steel (CrNi).

## FRAMES - ROOFS and LEGS

- Outdoor hydrant cabinets are designed so that a roof is provided over the frame and a raised base above the ground at the bottom for protection from external environmental impacts.
- Frame, roof and legs are made of corrosion-resistant steel (DKP) coated with electrostatic powder paint, stainless steel (CrNi) or galvanised sheet metal.
- Frames are manufactured in red colour as standard or, optionally, in Ral codes.
- Frame design allows mounting the hose basket in the right and left directions.
- Frame body is reinforced with additional parts and bends, which ensure flawless operation of the hose basket system.
- The frame has installation, ventilation and water discharge holes, which ensure ease of installation and make the frame have a long life.
- Cabinet frame has a capacity of two flat fabric hose baskets and four hoses which can stand in a free position.
- Cabinet frame has a capacity of one 6-kg fire extinguisher which can stand in an upright position. (Options with 2 1/2" flat fabric hose as the internal material do not have room for extinguisher.)
- Optionally, equipment such as fire axe, flashlight, hydrant switch, etc. can be requested according to the requirements of area of use.
- Cabinet body and internal equipment are packaged in separate boxes and shipped separately depending on the site conditions or in line with the customer's request.

# ACCO OUTDOOR-L

OUTDOOR HYDRANT  
CABINETS WITH FLAT  
FABRIC HOSE



Model Code

**OL.D.DB220.K1**  
OUTSIDE

TWO 2" 20 M FLAT FABRIC HOSE BASKETS + TWO 2" NOZZLES + ONE 6-KG FIRE EXTINGUISHER

**Cover Options**  
K1 SHEET METAL COVER

2 Pieces  
2"  
20  
Meters

WidthxLengthxDepth(mm)  
765\*1650\*230

Model Code

**OL.D.DB320.K1**  
OUTSIDE

TWO 2 1/2" 20 M FLAT FABRIC HOSE BASKETS + TWO 2 1/2" NOZZLES

**Cover Options**  
K1 SHEET METAL COVER

2 Pieces  
2 1/2"  
20  
Meters

WidthxLengthxDepth(mm)  
765\*1650\*230

Model Code

**OL.D.DB230.K1**  
OUTSIDE

TWO 2" 30 M FLAT FABRIC HOSE BASKETS + TWO 2" NOZZLES + ONE 6-KG FIRE EXTINGUISHER

**Cover Options**  
K1 SHEET METAL COVER

2 Pieces  
2"  
30  
Meters

WidthxLengthxDepth(mm)  
765\*1650\*230

Model Code

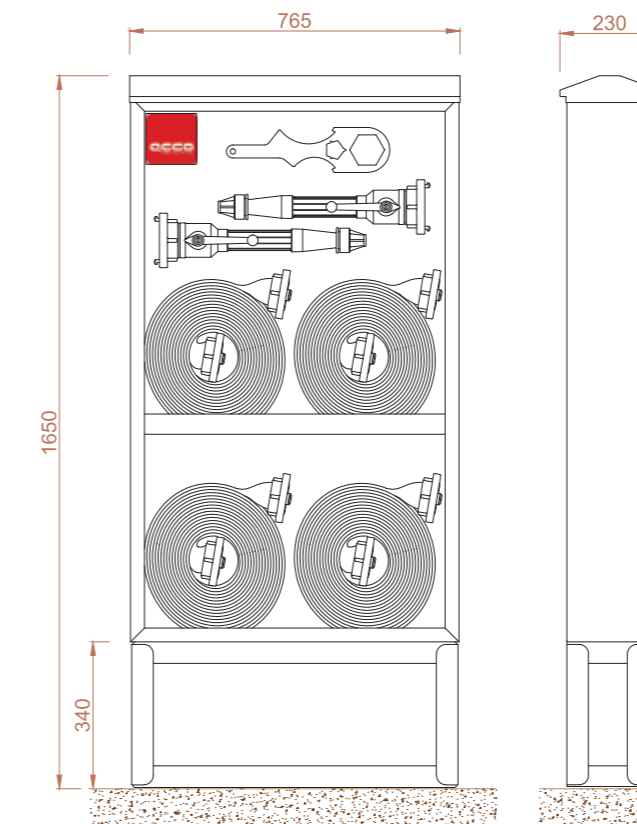
**OL.D.DB330.K1**  
OUTSIDE

TWO 2 1/2" 30 M FLAT FABRIC HOSE BASKETS + TWO 2 1/2" NOZZLES

**Cover Options**  
K1 SHEET METAL COVER

2 Pieces  
2 1/2"  
30  
Meters

WidthxLengthxDepth(mm)  
765\*1650\*230



Model Code

**OL.D.TH220.K1**  
OUTSIDE

FOUR 2 1/2" 20 M FLAT FABRIC HOSES + TWO 2 1/2" NOZZLES

**Cover Options**  
K1 SHEET METAL COVER

4 Pieces  
2"  
20  
Meters

WidthxLengthxDepth(mm)  
765\*1650\*230

Model Code

**OL.D.TH320.K1**  
OUTSIDE

FOUR 2 1/2" 20 M FLAT FABRIC HOSES + TWO 2 1/2" NOZZLES

**Cover Options**  
K1 SHEET METAL COVER

4 Pieces  
2 1/2"  
20  
Meters

WidthxLengthxDepth(mm)  
765\*1650\*230

Model Code

**OL.D.TH230.K1**  
OUTSIDE

FOUR 2" 30 M FLAT FABRIC HOSES + TWO 2" NOZZLES

**Cover Options**  
K1 SHEET METAL COVER

4 Pieces  
2"  
30  
Meters

WidthxLengthxDepth(mm)  
765\*1650\*230

Model Code

**OL.D.TH330.K1**  
OUTSIDE

FOUR 2 1/2" 30 M FLAT FABRIC HOSES + TWO 2 1/2" NOZZLES

**Cover Options**  
K1 SHEET METAL COVER

4 Pieces  
2 1/2"  
30  
Meters

WidthxLengthxDepth(mm)  
765\*1650\*230



# ACCO MIX-BOX

MIXBOX-30 AND  
MIXBOX-50 SERIES  
SEMI-RIGID AND FLAT  
FABRIC HOSE FIRE  
CABINETS

They are used in areas with risk of hydrocarbon fire such as car parks, refineries, aircraft hangars, airports, paint varnish workshops, filling stations, etc. They provide high extinguishing and cooling capabilities in fires caused by fuel, paint, etc. thanks to its film-forming foam concentrate.



MIXBOX-30



MIXBOX-50

-   
INDOOR USE
-   
FLAT FABRIC  
HOSE
-   
SEMI-RIGID  
HOSE
-   
OPERATING  
PRESSURE:  
MAX12 BAR
-   
EASE OF  
INSTALLATION
-   
SHIPMENT AS  
DISASSEMBLED
-   
FOAM

# ACCO MIXBOX-30

SEMI-RIGID HOSE  
FOAM CABINETS

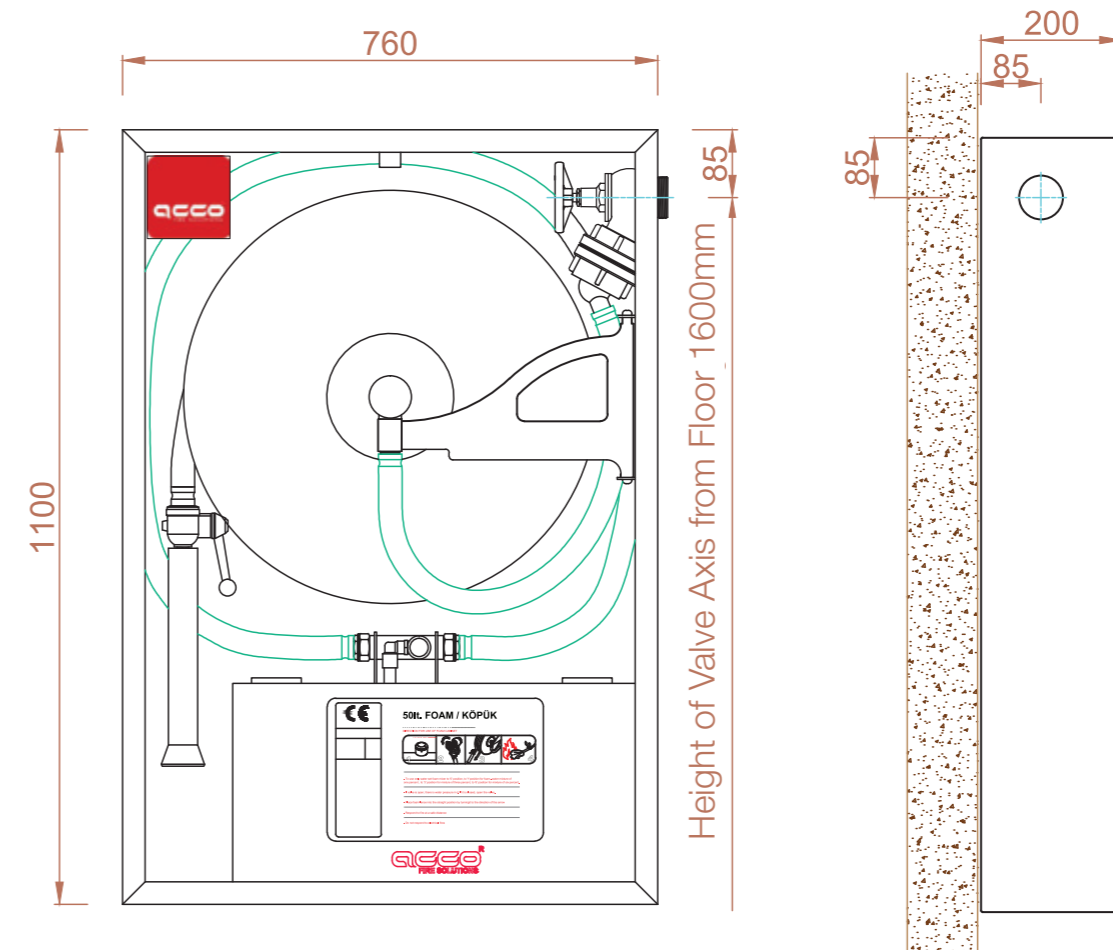
# ACCO MIXBOX-30

SEMI-RIGID HOSE  
FOAM CABINETS



### INTERNAL MATERIAL WITH SEMI-RIGID HOSE

- All the water lines in the reel system are resistant to corrosion which water and foam can result and the system is designed to be supplied with water from the centre.
- Reel has a capacity of 1" 30-m semi-rigid fire hose.
- The operating pressure of the system is maximum 12 bar and its explosive pressure is minimum 30 bar. 2" brass fire valve with storz fitting is used as the system inlet closing valve.
- Reel and valve connections are made with storz type adapter and coupling.
- Reel can oscillate 270° for the suitable use position.
- The body of the 1" foam nozzle with a flow rate of 100 l/min. at 6-bar pressure is made of stainless steel.
- 1" foam mixer, which is capable of mixing at a rate of 0% to 6%, is made of stainless steel and it can run the system only with water when set to 0%.
- The sheet metal of reel drum is coated with electrostatic powder paint and designed in a way avoiding sharp edges by means of special press method.
- The inter-connections of all the parts of the reel system are tested 100% and waterproofing is checked.
- Foam tank having a capacity of 30-litre foam concentrate is made of a material withstanding the chemical impacts of foam.



### SPECIFICATIONS OF FRAME

- Surface-mounted frames are made of corrosion-resistant steel (DKP) coated with electrostatic powder paint or of stainless steel (CrNi).
- Frames are manufactured in red colour as standard or, optionally, in Ral codes.
- Frame design allows mounting the reel in the right or left direction depending on the direction of valve connection.
- Frame body is reinforced with additional parts and bends, which ensure flawless operation of the reel system.
- The frame has installation, ventilation and water discharge holes, which ensure ease of installation and make the frame have a long life.
- Cabinet frame has a capacity of one semi-rigid hose reel set.
- Cabinet frame has a capacity of 30-litre foam tank.
- Wall mountable cabinet frame can also be used as mounted onto the floor thanks to a base provided optionally.

Model Code

### MB30.S.FR120.K2

SURFACE MOUNT

1"20 M SEMI-RIGID HOSE FOAM EQUIPMENT  
REEL SET + 30 L FOAM TANK

Cover Options  
SEMI-GLASS COVER

1"  
20  
Meters

WidthxLengthxDepth(mm)  
760x1100x200

Model Code

### MB30.S.FR125.K2

SURFACE MOUNT

1"25 M SEMI-RIGID HOSE FOAM EQUIPMENT  
REEL SET + 30 L FOAM TANK

Cover Options  
SEMI-GLASS COVER

1"  
25  
Meters

WidthxLengthxDepth(mm)  
760x1100x200

Model Code

### MB30.S.FR130.K2

SURFACE MOUNT

1"30 M SEMI-RIGID HOSE FOAM EQUIPMENT  
REEL SET + 30 L FOAM TANK

Cover Options  
SEMI-GLASS COVER

1"  
30  
Meters

WidthxLengthxDepth(mm)  
760x1100x200

At the Pressure of 5-7 Bar and in 3% Foam Use

#### NOZZLE

1" Foam Nozzle

#### FLOW RATE

100 lt / min.

#### OPERATION TIME

~10 min

# ACCO MIXBOX-50

SEMI-RIGID HOSE  
FOAM CABINETS

# ACCO MIXBOX-50

FLAT FABRIC HOSE  
KÖPÜK DOLAPLARI



## INTERNAL MATERIAL WITH SEMI-RIGID HOSE

- All the water lines in the reel system are resistant to corrosion which water and foam can result and the system is designed to be supplied with water from the centre.
- Reel has a capacity of 1" - 30m semi-rigid fire hose. The operating pressure of the system is maximum 12 bar and its explosive pressure is minimum 30 bar.
- 2" brass fire valve with storz fitting is used as the system inlet closing valve.
- Reel and valve connections are made with storz type adapter and coupling.
- Reel can oscillate 270° for the suitable use position.
- The body of the 1" foam nozzle with a flow rate of 100 l/min. at 6-bar pressure is made of stainless steel.
- 1" foam mixer, which is capable of mixing at a rate of 0% to 6%, is made of stainless steel and it can run the system only with water when set to 0%.
- The sheet metal of reel drum is coated with electrostatic powder paint and designed in a way avoiding sharp edges by means of special press method.
- The inter-connections of all the parts of the reel system are tested 100% and waterproofing is checked.
- Foam tank having a capacity of 50-litre foam concentrate is made of a material withstanding the chemical impacts of foam.

### At the Pressure of 5-7 Bar and in 3% Foam Use

NOZZLE	FLOW RATE	OPERATION TIME
1" Foam Nozzle	100 L/min.	~16 min.



## INTERNAL MATERIAL WITH FLAT FABRIC HOSE

- Hose basket has a capacity of 2" 30 m flat fabric hose.
- The operating pressure of the system is maximum 12 bar and its explosive pressure is minimum 30 bar.
- 2" brass valve with storz fitting is used as the system inlet closing valve.
- Hose and valve connections are made with storz type adapter and coupling.
- Hose basket has an arm, which can be taken out of the cabinet completely, so that the hose can be taken out easily from the basket.
- The body of the 2" foam nozzle with a flow rate of 200 l/min. at 6-bar pressure is made of stainless steel.
- 2" foam mixer, which is capable of mixing at a rate of 0% to 6%, is made of stainless steel and it can run the system only with water when set to 0%.
- Hose baskets are coated with electrostatic powder paint and so that flat fabric hoses can be ventilated.
- The inter-connections of all the parts of the hose are tested 100% and waterproofing is checked.
- Foam tank having a capacity of 50-litre foam concentrate is made of a material withstanding the chemical impacts of foam.

### At the Pressure of 5-7 Bar and in 3% Foam Use

NOZZLE	FLOW RATE	OPERATION TIME
2" Foam Nozzle	200 L/min.	~8 min.

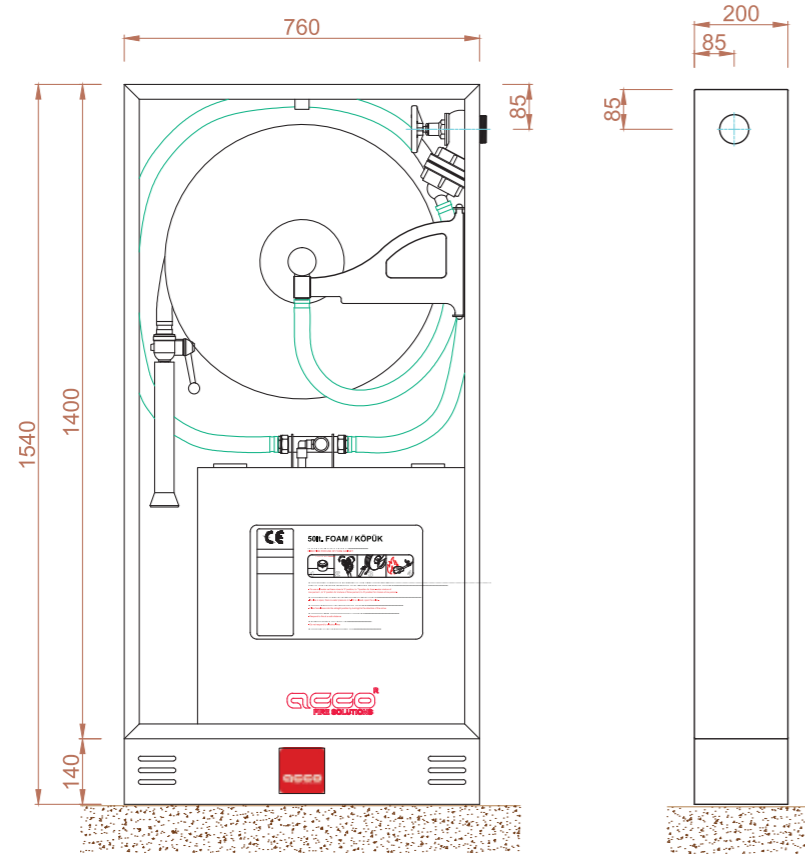
## SPECIFICATIONS OF FRAME AND BASE

- Surface-mounted frames are made of corrosion-resistant steel (DKP) coated with electrostatic powder paint or of stainless steel (CrNi).
- Frames are manufactured in red colour as standard or, optionally, in Ral codes.
- Frame design allows mounting the reel or hose basket in the right or left direction depending on the direction of valve connection.
- Frame body is reinforced with additional parts and bends, which ensure flawless operation of the reel and hose basket system.

- The frame has installation, ventilation and water discharge holes, which ensure ease of installation and make the frame have a long life.
- Cabinet frame has a capacity of one semi-rigid hose reel set or one flat fabric hose basket set. Cabinet frame has a capacity of 50-litre foam tank.
- The base is fitted with vents for ventilation and connection holes for easy mounting onto the floor.

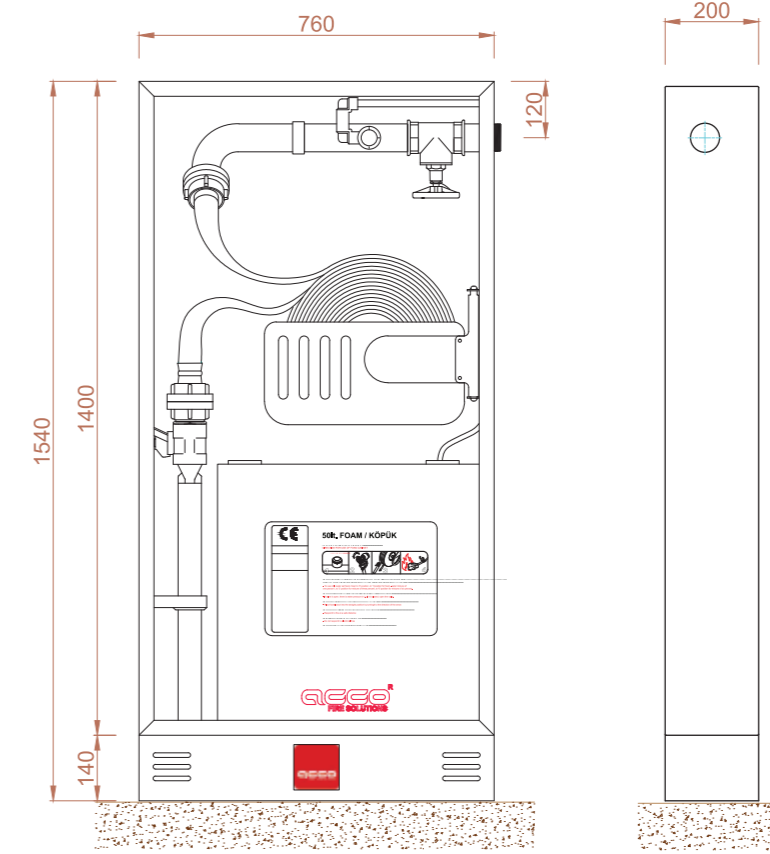
# ACCO MIXBOX-50

SEMI-RIGID HOSE  
FOAM CABINETS



# ACCO MIXBOX-50

FLAT FABRIC HOSE  
FOAM CABINETS



Model Code

**MB50.S.FR120.K2**  
SURFACE MOUNT  
1\*20 M SEMI-RIGID HOSE FOAM EQUIPMENT  
REEL SET + 50 L FOAM TANK

**Cover Options**  
K2 Cam Kapak

1"  
20  
Meters

WidthxLengthxDepth(mm)  
760x1540x200

Model Code

**MB50.S.FR125.K2**  
SURFACE MOUNT  
1\*25 M SEMI-RIGID HOSE FOAM EQUIPMENT  
REEL SET + 50 L FOAM TANK

**Cover Options**  
K2 Cam Kapak

1"  
25  
Meters

WidthxLengthxDepth(mm)  
760x1540x200

Model Code

**MB50.S.FR130.K2**  
SURFACE MOUNT  
1\*30 M SEMI-RIGID HOSE FOAM EQUIPMENT  
REEL SET + 50 L FOAM TANK

**Cover Options**  
K2 Cam Kapak

1"  
30  
Meters

WidthxLengthxDepth(mm)  
760x1540x200

Model Code

**MB50.S.FR220.K2**  
SURFACE MOUNT  
2\*20 M FLAT HOSE FOAM EQUIPMENT BASKET  
SET + 50 L FOAM TANK

**Cover Options**  
K2 Cam Kapak

2"  
20  
Meters

WidthxLengthxDepth(mm)  
760x1540x200

Model Code

**MB50.S.FR230.K2**  
SURFACE MOUNT  
2\*30 M FLAT HOSE FOAM EQUIPMENT BASKET  
SET + 50 L FOAM TANK

**Cover Options**  
K2 Cam Kapak

2"  
30  
Meters

WidthxLengthxDepth(mm)  
760x1540x200

Optionally, they can be selected with covers of K1 and K3 models. Please consult the customer associate

Optionally, they can be selected with covers of K1 and K3 models. Please consult the customer associate.

# ACCO MIXCAR

MIXCAR-150 AND  
MIXCAR-500 MODELS  
MOBILE FOAM UNITS

They are used in areas with risk of hydrocarbon fire such as car parks, refineries, aircraft hangars, airports, paint varnish workshops, filling stations, etc. They provide high extinguishing and cooling capabilities in fires caused by fuel, paint, etc. thanks to its film-forming foam concentrate.

They are used by connecting them to a hydrant or similar source of water. They allow responding to fires with foam rapidly and for a long duration thanks to their high capacity and moving bodies.



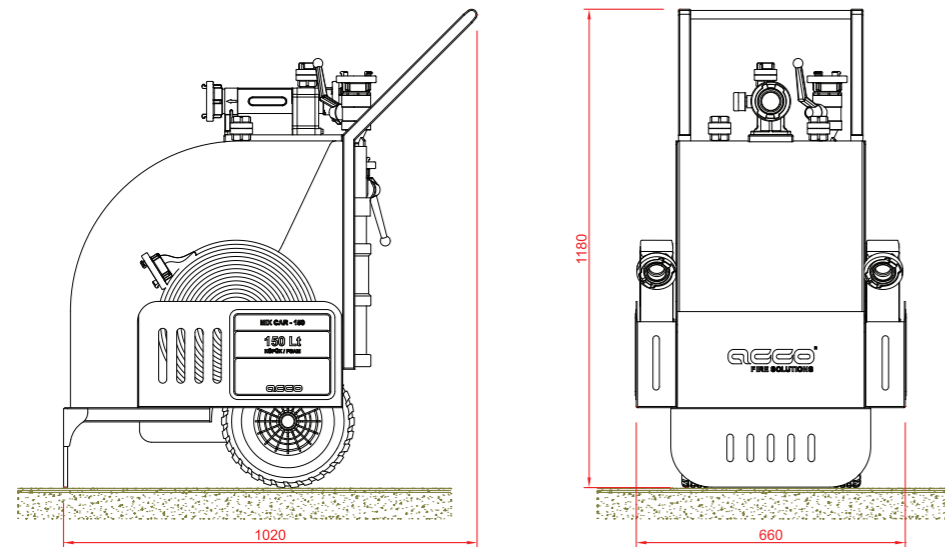
# ACCO MIXCAR 150

150 LT MOBILE  
FOAM  
UNIT



## MIXCAR-150 MODEL MOBILE FOAM UNIT

- The body of the product has a capacity of 150-litre foam concentrate and is made of a material withstanding the chemical impacts of the foam.
- Mobile foam unit can be easily moved even on non-asphalt ground thanks to its ergonomic structure.
- Body of the mobile foam unit is made of corrosion-resistant steel (DKP) coated with electrostatic powder paint, stainless steel (CrNi) or galvanised sheet metal.
- Electrostatic powder paint coated equipment holders, which are mounted onto the body of the unit, are provided so that the hoses and response equipment can be easily taken out and used.
- The hoses for connection to a hydrant or any fire water supply line are fitted with storz coupling.
- Mobile foam unit having a capacity of two 2" flat fabric hoses allows responding from a distance of 40 m in total.
- The operating pressure of the system is maximum 12 bar.
- The body of the 2" foam nozzle with a flow rate of 200 l/min. at 6-bar pressure is made of stainless steel.
- 2" water spray nozzles, which will only be used during responding with water, are capable of jetting and spraying depending on the type of fire response.
- 2" foam mixer, which is capable of mixing at a rate of 0% to 6% and mounted onto the body, is made of stainless steel and it can run the system only with water when set to 0%.
- The inter-connections of all the parts of the system are tested 100% and waterproofing is checked.



Model Code

**MC.150**

TWO 2" 20 M FLAT FABRIC HOSES  
+ FOAM NOZZLE + 150 L FOAM TANK

2 Pieces  
2"  
20  
Meters

### At the Pressure of 5-7 Bar and in 3% Foam Use

NOZZLE	FLOW RATE	OPERASYON TIME
2" Foam Nozzles	200 L /min.	~25 min.

# ACCO MIXCAR 500

500 LT  
MOBILE FOAM  
UNIT



## MIXCAR-500 MODEL MOBILE FOAM UNIT

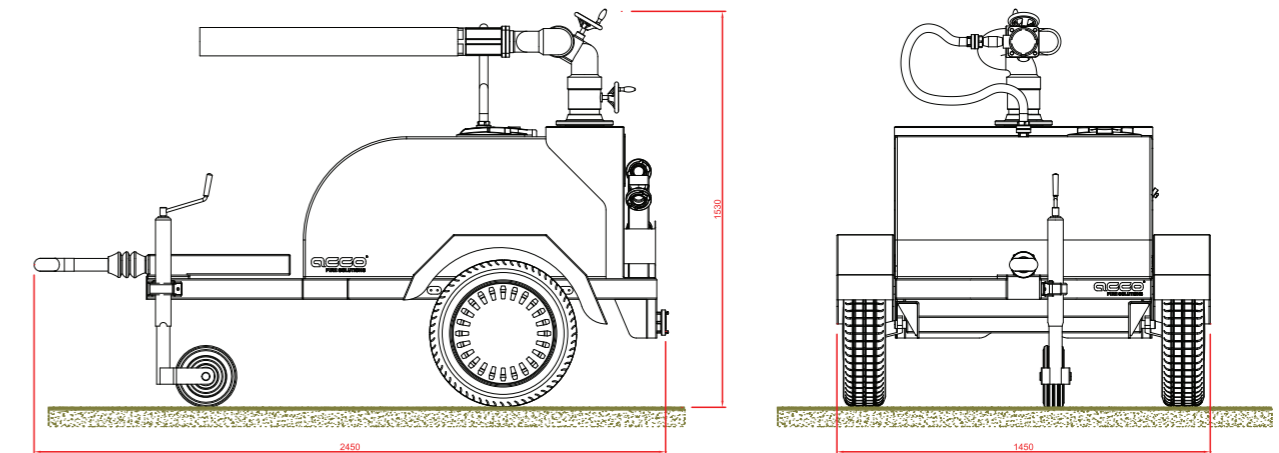
- The body of the product has a capacity of 500-litre foam concentrate and is made of a material withstanding the chemical impacts of the foam.
- The frame of the mobile foam unit is made as coated with corrosion-resistant electrostatic powder paint or as galvanised.
- Electrostatic powder paint coated equipment holders, which are mounted onto the body of the unit, are provided so that the hoses can be easily taken out and used,
- The hoses for connection to a hydrant or any fire water supply line and the water inlets of the unit are fitted with storz coupling.
- Water is supplied to the carriage by connecting the two 2 1/2" 10 m flat fabric hoses positioned on the carriage to a water source.
- The recommended operating pressure of the system is 8 bar and its maximum operating pressure is 16 bar,
- DN100 foam monitor, which can operate at 360° horizontally and between -75° and 90° vertically.
- The inter-connections of all the parts of the system are tested 100% and waterproofing is checked.

Model Code

**MC-500**

TWO 2 1/2" 10 M FLAT FABRIC HOSES  
+ MONITOR + 500 L FOAM TANK

2 Pieces  
2 1/2"  
10  
Meters



### in 3% Foam Use

PRESSURE	FLOW RATE	THROW DISTANCE	OPERATION TIME
8 BAR	3000 L/min.	~50 m	~ 5 min.
8 BAR	2000 L/min.	~45 m	~ 8 min.
8 BAR	1000 L/min.	~38 m	~ 16 min.

**Note:** Throw distance and operation periods vary for different pressure and flow rate values. Please consult your customer associate for the information you need.





# ACCO ROLLER

ROLLER-F, ROLLER-M,  
ROLLER-S and  
REEL CAR MODEL  
SEMI-RIGID HOSE  
FIRE REELS

The Reel Series fire reels offer a solution to the requirements with four different models including stationary, shaft type, free-standing and mobile. Being prominent with its practical installation and use, the Reel series reels are suitable for indoor use and outdoor use in places with no frost risk.

ROLLER CAR

ROLLER-S

ROLLER-M



INDOOR USE



SEMI-RIGID HOSE



OPERATING PRESSURE: MAX12 BAR



EASE OF INSTALLATION



MOBILE

# ACCO ROLLER-F

SEMI-RIGID HOSE  
FIXED FIRE REEL

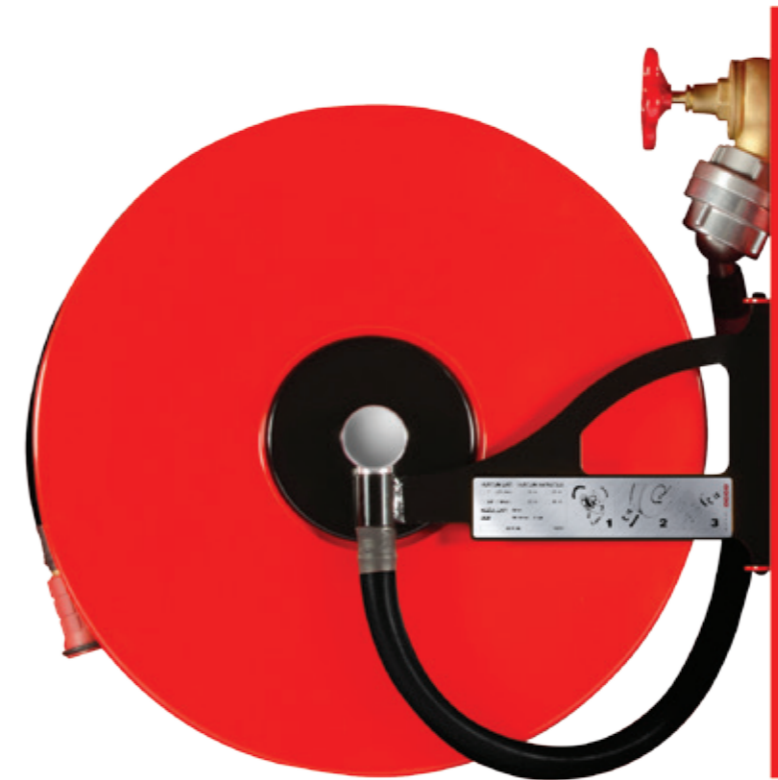
# ACCO ROLLER-M

YARI SERT HORTUMLU  
HAREKETLİ YANGIN  
MAKARASI



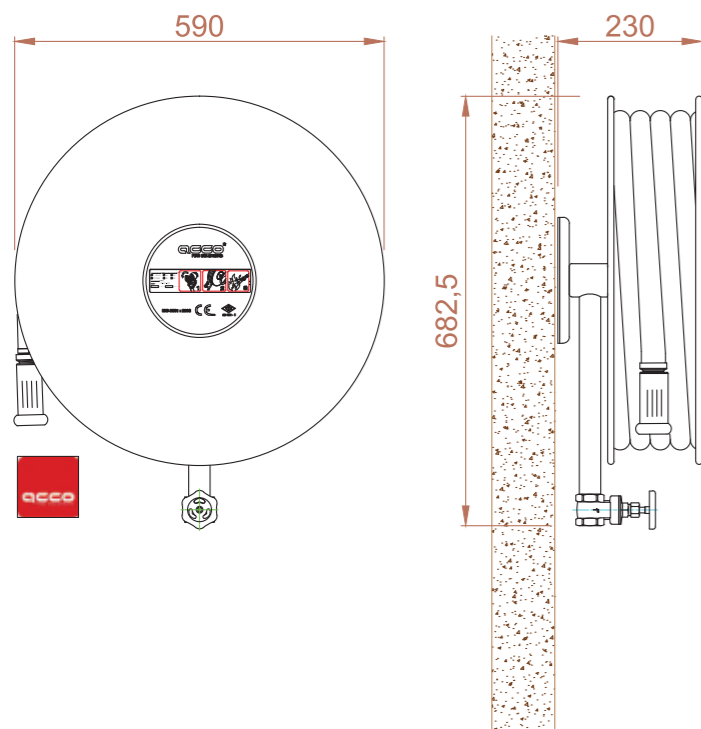
### SEMI-RIGID HOSE FIRE REEL

- All the water lines in the reel system are resistant to corrosion and the system is designed to be supplied with water from the centre.
- Reel has a capacity of 1" - 30m semi-rigid fire hose.
- The operating pressure of the system is maximum 12 bar and its explosive pressure is minimum 30 bar.
- 1" brass gate valve is used as the system inlet closing valve.
- 1" water spray nozzle is capable of jetting and spraying depending on the type of fire response.
- The sheet metal of reel drum is coated with electrostatic powder paint and designed in a way avoiding sharp edges by means of special press method.
- It can be easily installed with corrosion-resistant wall fixing apparatus.
- The inter-connections of all the parts of the reel system are tested 100% and waterproofing is checked.



### SEMI-RIGID HOSE FIRE REEL

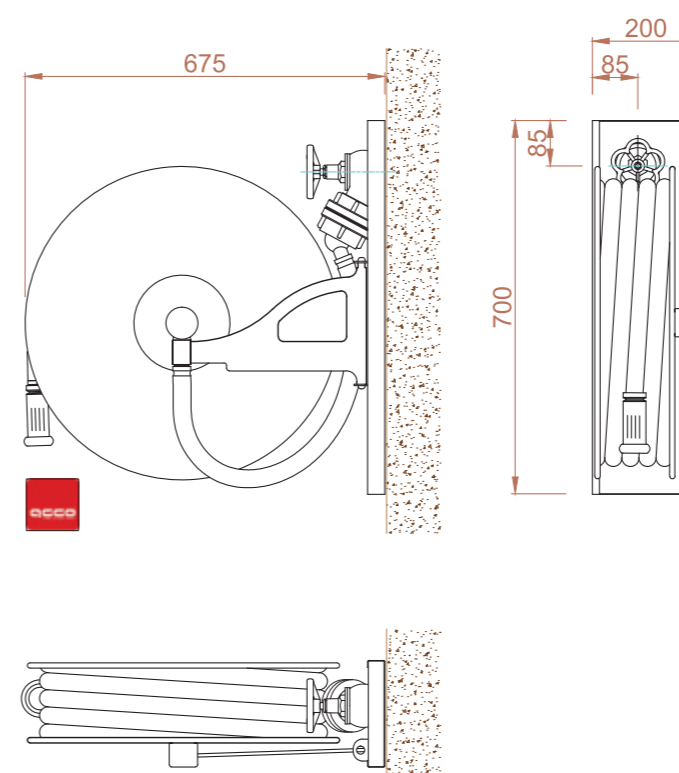
- All the water lines in the reel system are resistant to corrosion and the system is designed to be supplied with water from the centre.
- Reel has a capacity of 1" - 30m semi-rigid fire hose. The operating pressure of the system is maximum 12 bar and its explosive pressure is minimum 30 bar.
- 2" brass fire valve with storz fitting is used as the system inlet closing valve.
- Reel and valve connections are made with storz type adapter and coupling.
- Reel can oscillate 270° for the suitable use position.
- 1" water spray nozzle is capable of jetting and spraying depending on the type of fire response.
- The sheet metal of reel drum is coated with electrostatic powder paint and designed in a way avoiding sharp edges by means of special press method.
- It can be easily installed with corrosion-resistant wall fixing apparatus.
- The inter-connections of all the parts of the reel system are tested 100% and waterproofing is checked.



Model Code	1"
<b>RF.R120</b>	20
REEL SET	Meters
1"20 M SEMI-RIGID HOSE REEL SET	
WidthxLengthxDepth(mm)	590*683*230

Model Code	1"
<b>RF.R125</b>	25
REEL SET	Meters
1"25 M SEMI-RIGID HOSE REEL SET	
WidthxLengthxDepth(mm)	590*683*230

Model Code	1"
<b>RF.R130</b>	30
REEL SET	Meters
1"30 M SEMI-RIGID HOSE REEL SET	
WidthxLengthxDepth(mm)	590*683*230



Model Code	1"
<b>RM.R120</b>	20
REEL SET	Meters
1"20 M SEMI-RIGID HOSE REEL SET	
WidthxLengthxDepth(mm)	675*700*200

Model Code	1"
<b>RM.R125</b>	25
REEL SET	Meters
1"25 M SEMI-RIGID HOSE REEL SET	
WidthxLengthxDepth(mm)	675*700*200

Model Code	1"
<b>RM.R130</b>	30
REEL SET	Meters
1"30 M YSEMI-RIGID HOSE REEL SET	
WidthxLengthxDepth(mm)	675*700*200

# ACCO ROLLER-S

SEMI-RIGID HOSE  
LEGGED FIRE REEL



## SEMI-RIGID HOSE FIRE REEL

- All the water lines in the reel system are resistant to corrosion and the system is designed to be supplied with water from the centre.
- Reel has a capacity of 1" - 30m semi-rigid fire hose. The operating pressure of the system is maximum 12 bar and its explosive pressure is minimum 30 bar.
- 1" brass gate valve is used as the system inlet closing valve.
- A hidden pipe installation, which allows supplying water from floor, is provided on the leg onto which the reel is mounted.
- 1" water spray nozzle is capable of jetting and spraying depending on the type of fire response.
- The sheet metal of reel drum is coated with electrostatic powder paint and designed in a way avoiding sharp edges by means of special press method.
- It can be easily installed with corrosion-resistant leg and reel fixing apparatus.
- The inter-connections of all the parts of the reel system are tested 100% and waterproofing is checked.

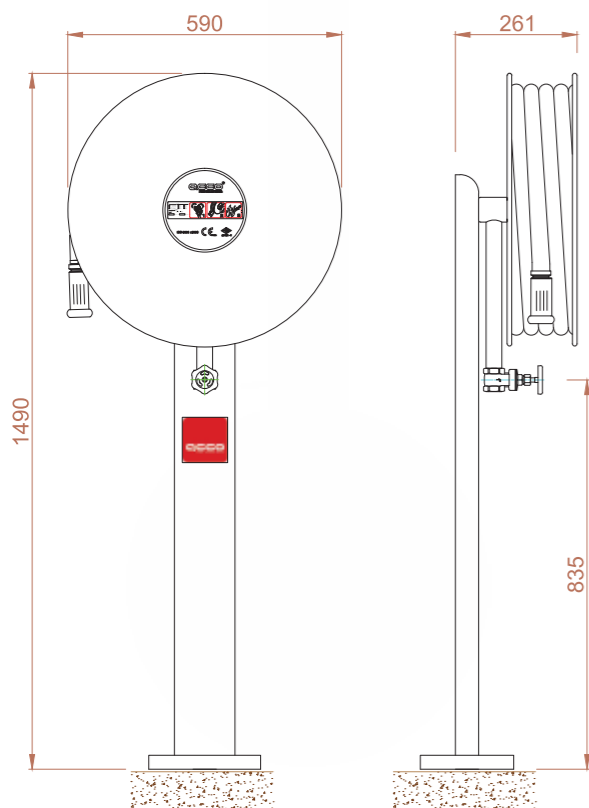
# ACCO ROLLER-CAR

SEMI-RIGID  
HOSE FIRE  
HOSE CAR



## SEMI-RIGID HOSE FIRE REEL

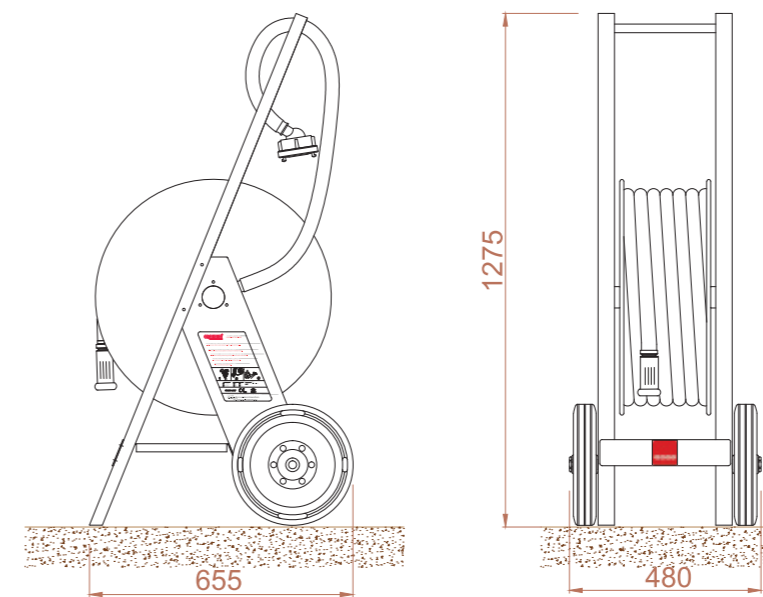
- All the water lines in the reel system are resistant to corrosion and the system is designed to be supplied with water from the centre.
- Reel has a capacity of 1" - 40m semi-rigid fire hose.
- A 1" 3-m interconnection hose with storz coupling is available which allows connecting the hose carriage to a hydrant or any fire water supply line.
- The operating pressure of the system is maximum 12 bar and its explosive pressure is minimum 30 bar. Reel and valve connections are made with storz type adapter and coupling.
- 1" water spray nozzle is capable of jetting and spraying depending on the type of fire response.
- The sheet metal of reel drum is coated with electrostatic powder paint and designed in a way avoiding sharp edges by means of special press method.
- Body of hose car is made of corrosion-resistant steel (DKP) coated with electrostatic powder paint, stainless steel (CrNi) or galvanised sheet metal.
- Optionally, canvas can be made in line with the customer's request in order to protect the hose carriage from outdoor conditions. The inter-connections of all the parts of the reel system are tested 100% and waterproofing is checked.



Model Code	RS.R120	1" 20 Meters
REEL SET	1"20 M SEMI-RIGID HOSE REEL SET	WidthxLengthxDepth(mm) 590*1490*261

Model Code	RS.R125	1" 25 Meters
REEL SET	1"25 M SEMI-RIGID HOSE REEL SET	WidthxLengthxDepth(mm) 590*1490*261

Model Code	RS.R130	1" 30 Meters
REEL SET	1"30 M SEMI-RIGID HOSE REEL SET	WidthxLengthxDepth(mm) 590*1490*261



Model Code	RC.R140	1" 40 Meters
FIRE HOSE CAR	1"40 M SEMI-RIGID HOSE REEL SET	WidthxLengthxDepth(mm) 480*1275*655



# ACCO BOX

BOX-S, BOX-L MODELS  
EXTINGUISHER CABINETS  
AND KIT-BOX MODEL  
EQUIPMENT CABINET

#### INTENDED USE

In spaces where fire extinguishers are located, they are used to prevent unnecessary responses, protect the extinguishers and easily access to the extinguishers when required. Also, they prevent non-aesthetic appearance.



BOX-S



BOX-L



INDOOR USE



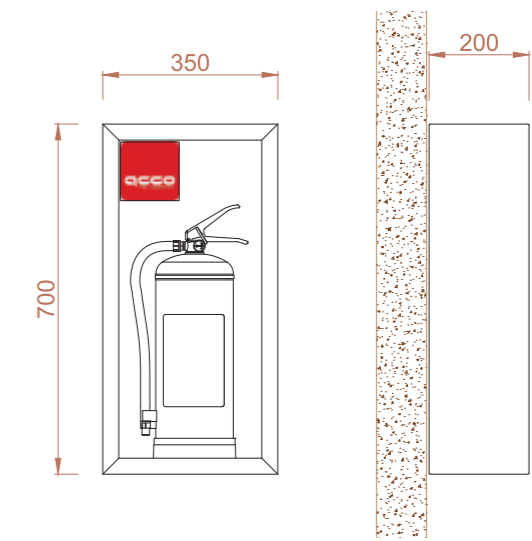
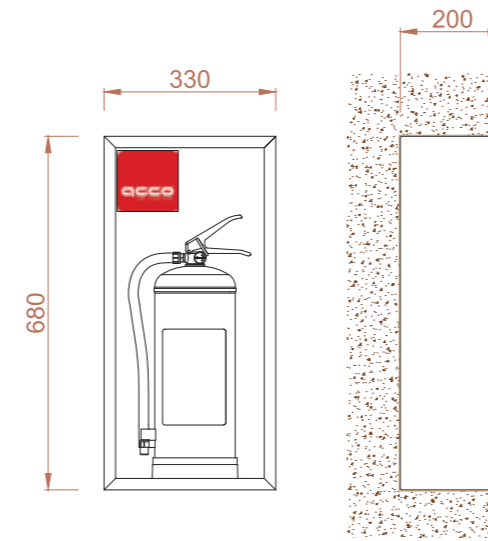
EASE OF  
INSTALLATION



SHIPMENT AS  
DISASSEMBLED



FIRE  
EXTINGUISHER



Model Code

**BS.G.x**

BUILT-IN

ONE 6KG OR 12 KG DRY CHEMICAL POWDER FIRE EXTINGUISHER

Cover Options  
x: K1, K2, K3

1 Piece  
6/12 KG  
EXTINGUISHER

WidthxLengthxDepth(mm)  
330x680x200

Model Code

**BS.S.x**

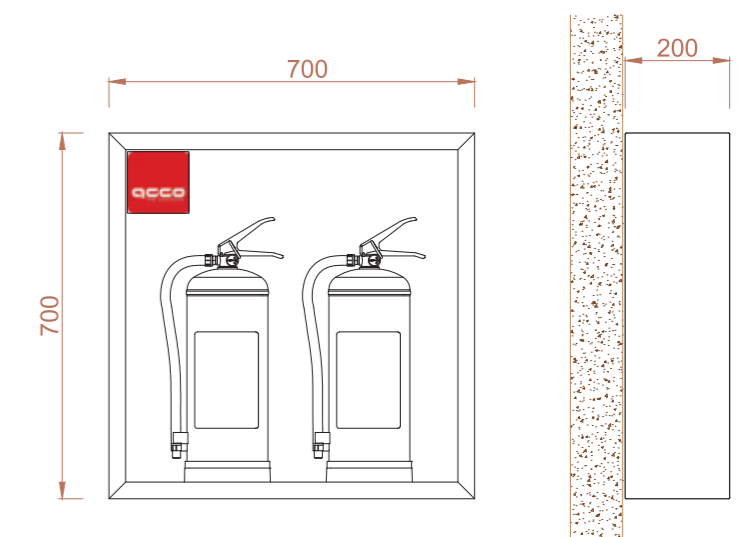
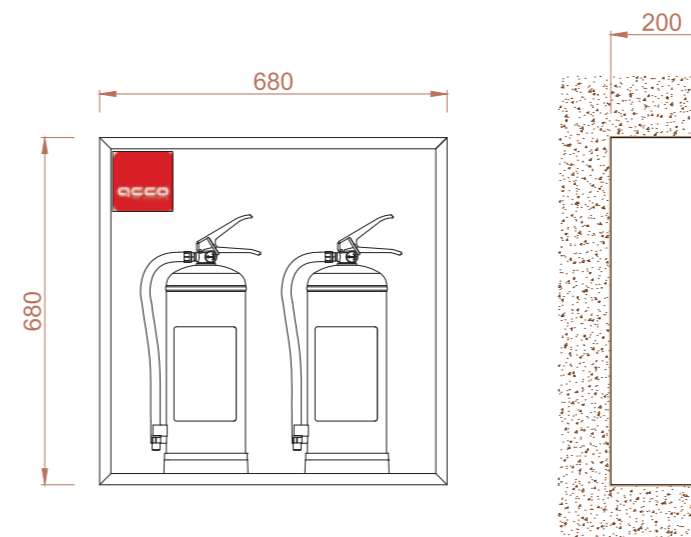
SURFACE MOUNT

ONE 6KG OR 12 KG DRY CHEMICAL POWDER FIRE EXTINGUISHER

Cover Options  
x: K1, K2, K3

1 Piece  
6/12 KG  
EXTINGUISHER

WidthxLengthxDepth(mm)  
700x700x200



Model Code

**BL.G.x**

BUILT-IN

TWO 6KG OR 12 KG DRY CHEMICAL POWDER FIRE EXTINGUISHERS

Cover Options  
x: K1, K2, K3

2 Piece  
6/12 KG  
EXTINGUISHER

WidthxLengthxDepth(mm)  
680x680x200

Model Code

**BL.S.x**

SURFACE MOUNT

TWO 6KG OR 12 KG DRY CHEMICAL POWDER FIRE EXTINGUISHERS

Cover Options  
x: K1, K2, K3

1 Piece  
6/12 KG  
EXTINGUISHER

WidthxLengthxDepth(mm)  
700x700x200

- Built-in or surface-mounted frame is made of corrosion-resistant steel (DKP) coated with electrostatic powder paint or of stainless steel (CrNi),
- Frames are manufactured in white, red and black colours as standard or, optionally, in Ral codes,
- Poor appearance deriving from installation faults and plaster, mortar, etc. is avoided thanks to the removable embedded installation frame attached onto the built-in frames.
- The frame has installation and ventilation holes, which ensure ease of installation and make the frame have a long life.
- Cabinet frame, cover and internal equipment are packaged in separate boxes and shipped separately depending on the site conditions or in line with the customer's request.

x: cover code. Select one of K1, K2, and K3 model fire covers.

# ACCO KIT-BOX

EQUIPMENT  
CABINET



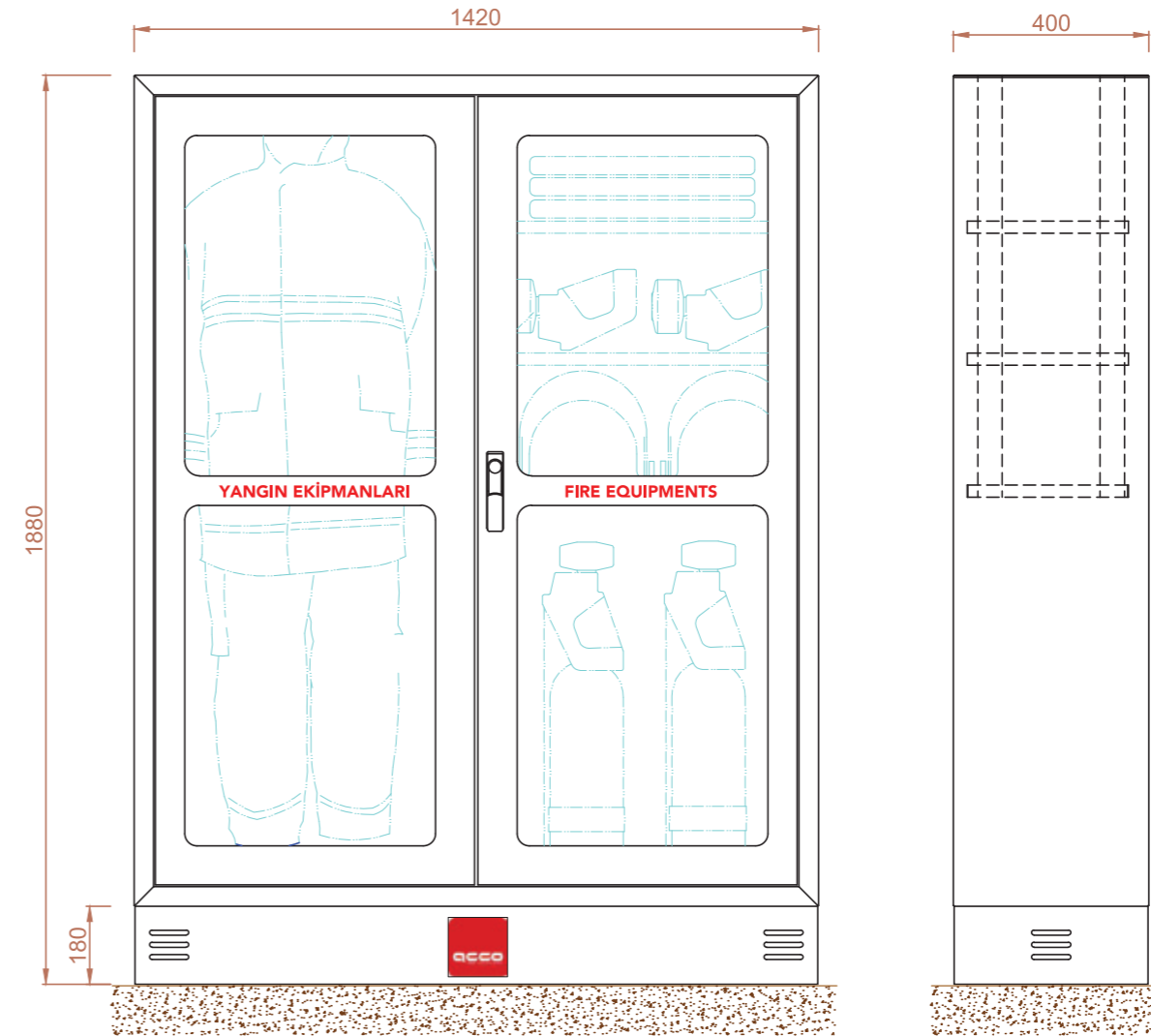
- They are used to keep and easily access to the equipment requirements of the personnel in the structures such as shopping malls, factories, airports, etc. where trained fire response personnel are obligatory.
- Optionally, equipment such as fire brigadier's suit, mask, boot, fire axe, flashlight, hydrant switch, etc. is provided according to the requirements of the area of use and in line with the customer's requests.

- Frames are made of corrosion-resistant steel (DKP) coated with electrostatic powder paint.
- Frames are manufactured in white and red colours as standard or, optionally, in Ral codes.
- The base is fitted with vents for ventilation and connection holes for easy mounting onto the floor.

x: cover code. Select one of K1, K2 model fire covers.  
Please consult your customer associate for optional internal material options according to the requirements of area of use.

# ACCO KIT-BOX

EQUIPMENT  
CABINET



Model Code

**KB.S.x**  
SURFACE MOUNT

Internal equipment selection is determined according to the requirements of use.

**Cover Options**  
x: K1, K2



WidthxLengthxDepth(mm)  
1420\*1880\*400







OSTİM O.S.B Mah. Ahi Evran Cad  
1227 Sok. 6/F Yenimahalle / Ankara / Türkiye  
+90.312.385 22 62

info@accofire.com  
www.accofire.com



ACCOFIRE SOLUTIONS